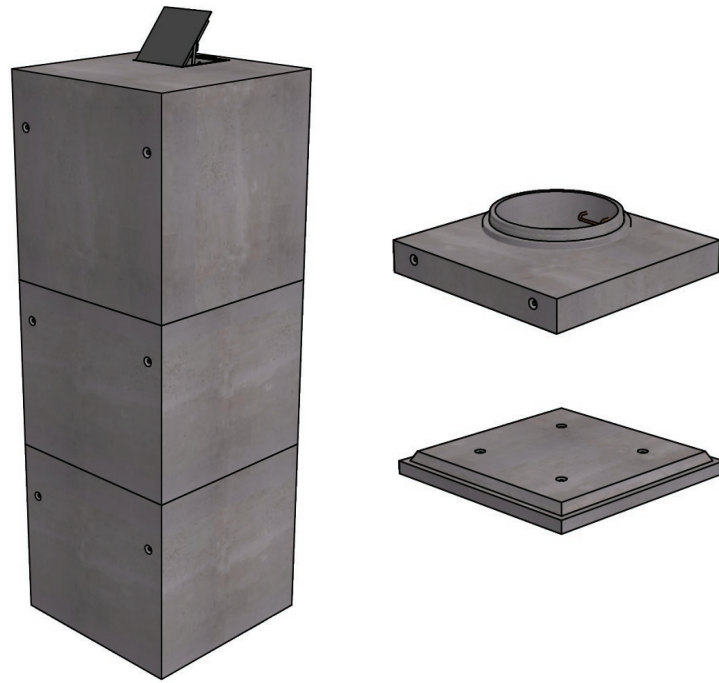
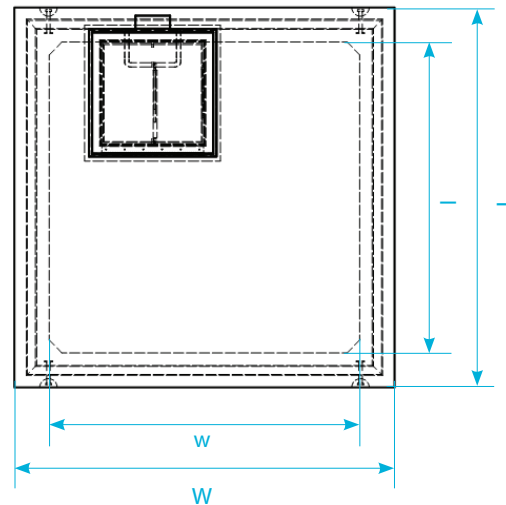


**Front Elevation View**



**Isometric 3D**



**Plan View**

**Structure Sizes**

Model	Inside Width (w)	Inside Length (l)	Outside Width (W)	Outside Length (L)
	mm	mm	mm	mm
VS 1212	1220	1220	1628	1628
VS 1515	1525	1525	1933	1933
VS 1818	1830	1830	2238	2238

**Information**

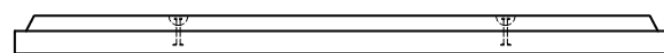
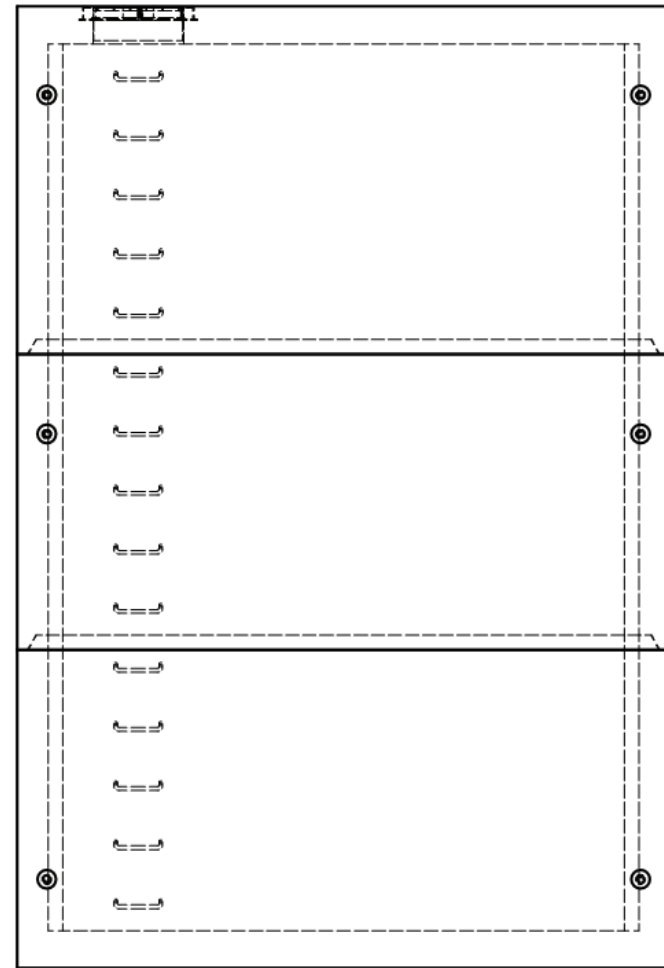
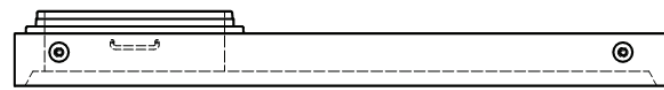
- Available in sizes from 1.2m x 1.2m to 4m x 4.5m
- Configurable in height increments of 400mm
- Easy to handle and install
- Splitter wall(s) and benching available
- Highly customizable for use in almost any situation (eg. thimbles, hatches)

## Structure Sizes

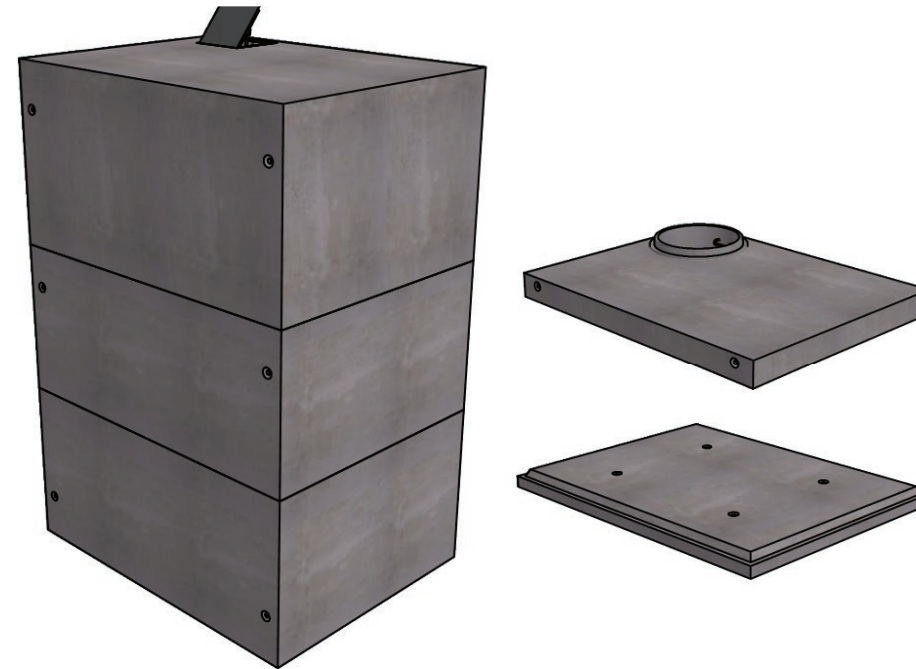
Model	Inside Width (w)	Inside Length (l)	Outside Width (W)	Outside Length (L)
	mm	mm	mm	mm
VS 1824	2440	1830	2848	2238
VS 2530	3000	2500	3416	2916
VS 3040	4000	3000	4420	3420
VS 4045	4500	4000	5100	4600

## Information

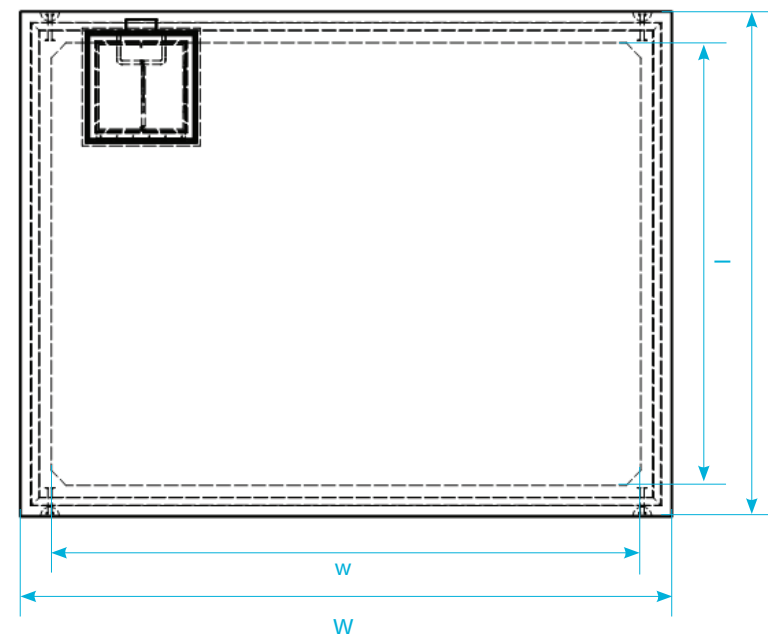
- Available in sizes from 1.2m x 1.2m to 4m x 4.5m
- Configurable in height increments of 400mm
- Easy to handle and install
- Splitter wall(s) and benching available
- Highly customizable for use in almost any situation (eg. thimbles, hatches)



Front Elevation View



Isometric 3D



Plan View