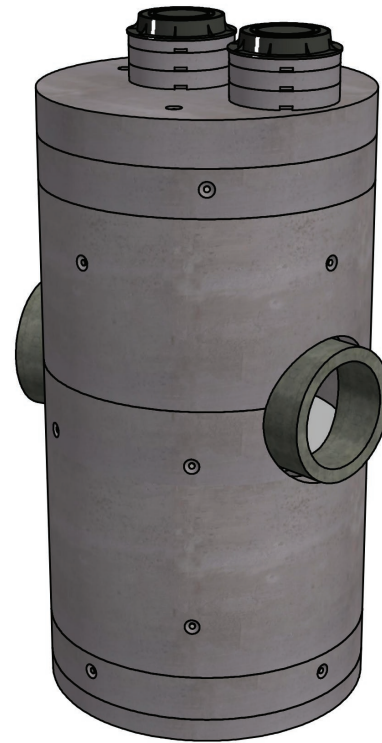
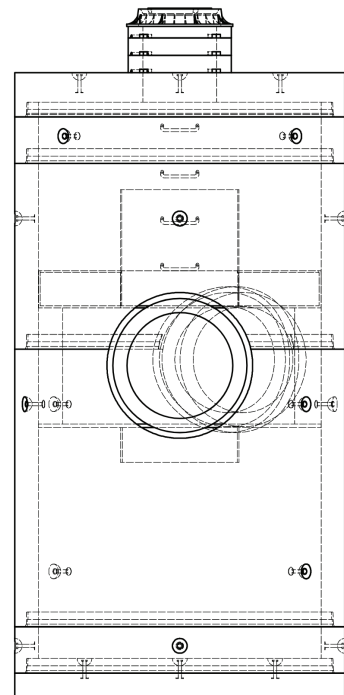


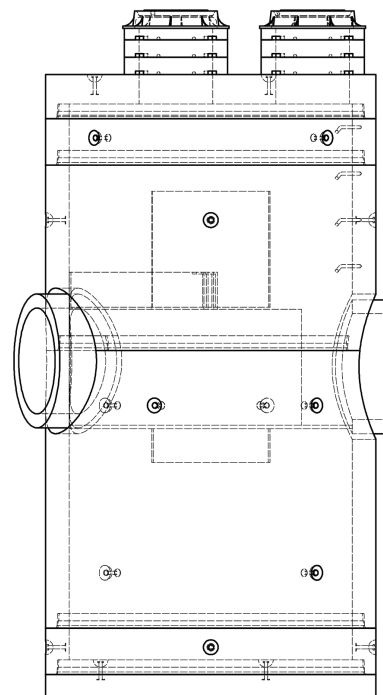
**Plan View**



**Isometric 3D**



**Side Elevation View**



**Front Elevation View**

**Structure Sizes**

Model	MH ID Ø	MH OD Ø	WALL THICK
	mm	mm	mm
1200	1219	1473	127
1500	1524	1829	153
1800	1829	2184	178
2100	2134	2490	178
2400	2438	2845	204
3000	3028	3556	254

**Information**

- Internals by Rainwater Management
- Non-blocking, indirect screening technique to treat stormwater runoff
- Captures suspended solids, hydrocarbons and floatable trash larger than 2.4mm
- Unit does not require differential head between inlet and outlet
- Can accommodate multiple inlets at almost any angle