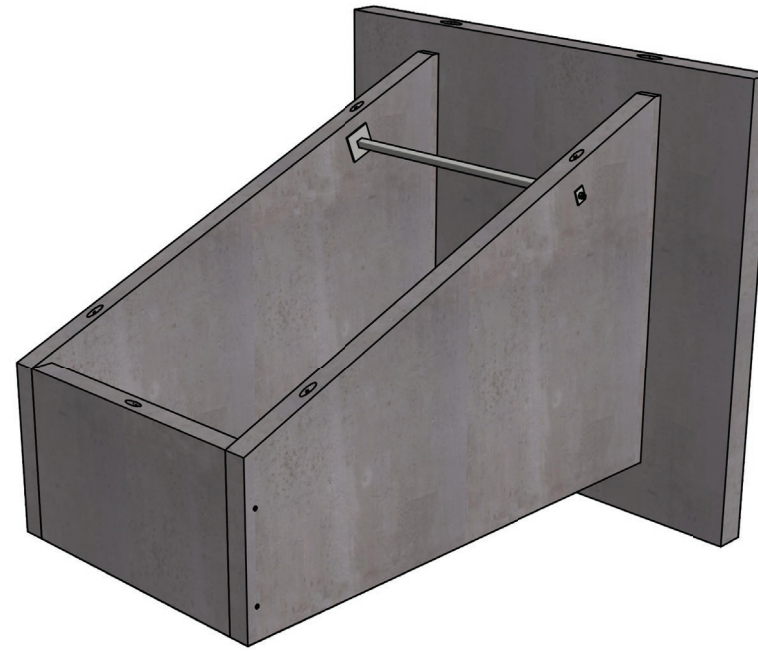
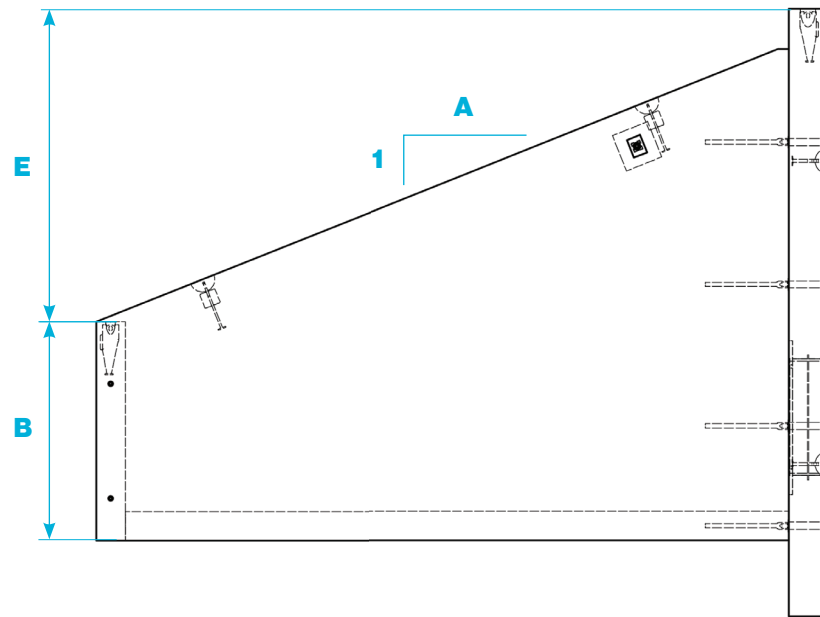


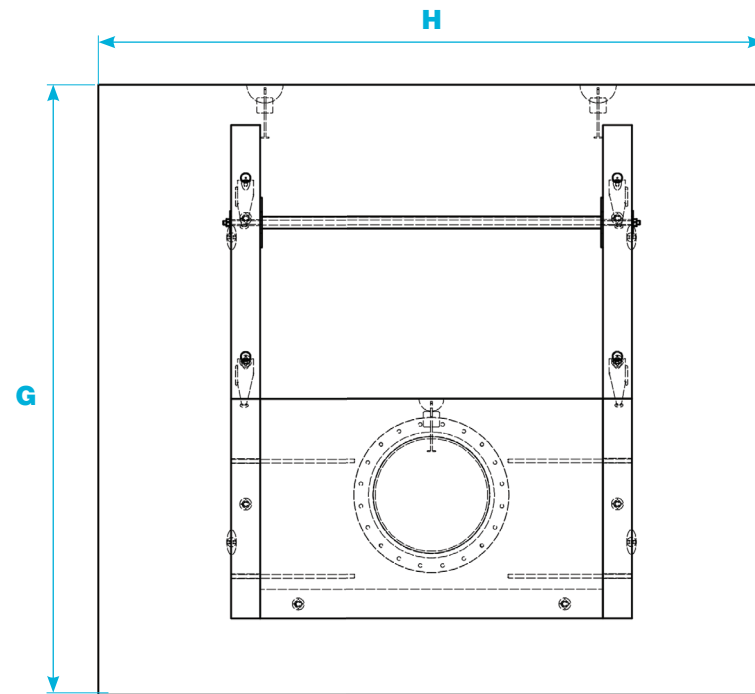
**Plan View**



**Isometric 3D**



**Side Elevation View**



**Front Elevation View**

### Structure Sizes

- Size chart on following page

### Information

- Designed for inlet and outlet control
- Easy and fast to install
- Works in combination with Check and Check/Drop Structures
- Fits the shape of canal or existing topography, flow required and pipe size
- Headwall acts as an anchor and seepage barrier
- Compatible with many gates and can be customized with upgrades like trash racks

## Structure Sizes

	A	B	C	D	E	F	G	H	H1	B1
		mm	mm	mm	mm	mm	mm	mm	kg	kg
<b>STO</b>	2.0	400	1000	1300	700	200	2250	3000	2472	990
	2.5	400	1000	1300	525	500	2000	3000	2197	935
<b>MTO</b>	2.0	400	1000	2300	1150	500	3000	3000	3296	1890
	2.5	400	1000	2300	920	200	3000	3000	3296	1762
<b>LTO</b>	2.0	400	1000	3100	1600	500	3500	3000	3845	2833
	2.5	400	1000	3100	1240	500	3250	3000	3570	2743

A	B	C	D	E	F	H1	B1
	mm	mm	mm	mm	mm	kg	kg
<b>2.0</b>	500	1500	2000	2750	3500	3,525	2,964
			2500	3250	3500	4,165	4,149
			2500	3000	3500	3,845	3,750
			3500	3750	3500	4,806	6,272
			3000	3000	3500	3,845	4,597
			4500	4250	3500	5,447	8,757
			3500	3250	3500	4,165	5,503
		2000	2000	2750	4000	4,028	3,443
			4000	3500	3500	4,486	6,470
			2500	3000	4000	4,394	4,320
			4500	3500	3500	4,486	7,496
			3000	3000	4000	4,394	5,256
			5000	3750	3500	4,806	8,584
		2500	2000	2750	4500	4,532	3,922
			2000	3000	4500	4,943	4,181
			2500	3000	4500	4,943	4,889
			3000	3500	4500	5,767	6,485
			3000	3000	4500	4,943	5,916
			4000	4000	4500	6,591	9,150
			3500	3250	4500	5,355	7,003
			5000**	4500*	4500*	9,952	12,176
		3000	2000	2750	5000	5,035	4,401
			2500	3250	5000	5,950	5,857
			2500	3000	5000	5,493	5,458
			3000	3000	5000	5,493	6,575
			4000	3500	5000	6,408	8,990
			4500	3500	5000	6,408	10,228
			5000**	3750	5000	6,866	11,646

A	B	C	D	E	F	H1	B1
	mm	mm	mm	mm	mm	kg	kg
<b>2.0</b>	1000	1500	2000	3250	3500	4,165	4,012
			2500	3500	3500	4,486	4,979
			3000	3500	3500	4,486	6,006
			3500	3750	3500	4,806	7,093
			4000	4000	3500	5,127	8,240
			4500	4000	3500	5,127	9,448
			5000	4250	3500	5,447	10,716
		2000	2000	3250	4000	5,127	4,581
			2500	3500	4000	4,760	5,638
			3000	3500	4000	5,127	6,756
			3500	3750	4000	5,127	7,933
			4000	4000	4000	5,493	9,171
			4500	4000	4000	5,859	10,469
			5000**	4250	4000	5,859	11,827
		2500	2000	3250	4500	6,225	5,151
			2500	3500	4500	5,355	6,298
			3000	3500	4500	5,767	7,506
			3500	3750	4500	5,767	8,773
			4000	4000	4500	6,179	10,101
			4500**	4000	4500	6,591	11,490
			5000**	4250	4500	6,591	12,938
		3000	2000	3250	5000	7,003	5,720
			2500	3500	5000	5,950	6,957
			3000	3500	5000	6,408	8,255
			3500	3750	5000	6,408	9,613
			4000	4000*	5000*	6,866	11,032
			4500**	4000*	5000*	9,829	12,510
			5000**	4000*	5000*	9,829	14,049

\* 204 mm thick  
 \*\* Available as 2-piece basin  
 \*\*\* Recommended dimensions (subject to change upon request)

## Structure Sizes

A	B	C	D	E	F	H1	B1
	mm	mm	mm	mm	mm	kg	kg
2.5	500	1500	2000	3000	3500	3,845	3,223
			2500	3250	3500	4,165	4,149
			3000	3500	3500	4,486	5,166
			3500	3750	3500	4,806	6,272
			4000	4000	3500	5,127	7,469
			4500	4250	3500	5,447	8,757
			5000	4500	3500	5,767	10,134
		2000	2000	3000	4000	4,394	3,702
			2500	3250	4000	4,760	4,719
			3000	3500	4000	5,127	5,825
			3500	3750	4000	5,493	7,022
			4000	4000	4000	5,859	8,310
			4500**	4250	4000	6,225	9,687
			4500**	4250	4000	6,225	9,687
		2500	2000	3000	4500	4,943	4,181
			2500	3250	4500	5,355	5,288
			3000	3500	4500	5,767	6,485
			3500	3750	4500	6,179	7,772
			4000	4000	4500	6,591	9,150
			4500**	4250	4500	7,003	10,618
			5000**	4500*	4500*	9,952	12,176
		3000	2000	3500	5000	6,408	5,979
			2500	3750	5000	6,866	7,356
			3000	4000*	5000*	9,829	8,825
			3500	4250*	5000*	10,443	10,383
			4000	4500*	5000*	11,058	12,032
			4500**	4750*	5000*	11,672	13,771
			5000**	5000*	5000*	12,286	15,600

A	B	C	D	E	F	H1	B1
	mm	mm	mm	mm	mm	kg	kg
2.5	1000	1500	2000	3500	3500	4,486	4,271
			2500	3750	3500	4,806	5,378
			3000	4000	3500	5,127	6,575
			3500	4250	3500	5,447	7,862
			4000	4500	3500	5,767	9,240
			4500**	4750	3500	6,088	10,708
			5000**	5000	3500	6,408	12,266
		2000	2000	3500	4000	5,127	4,840
			2500	3750	4000	5,493	6,037
			3000	4000	4000	5,859	7,325
			3500	4250	4000	6,225	8,703
			4000	4500	4000	6,591	10,171
			4500**	4750	4000	6,957	11,729
			5000**	4750	4000*	9,829	13,378
		2500	2000	3500	4500	5,767	5,410
			2500	3750	4500	6,179	6,697
			3000	4000	4500	6,591	8,075
			3500	4250	4500	7,003	9,543
			4000	4500*	4500*	9,952	11,101
			4500**	4750*	4500*	10,505	12,750
			5000**	5000*	4500*	11,058	14,489
		3000	2000	3500	5000	6,408	5,979
			2500	3750	5000	6,866	7,356
			3000	4000*	5000*	9,829	8,825
			3500	4250*	5000*	10,443	10,383
			4000	4500*	5000*	11,058	12,032
			4500**	4750*	5000*	11,672	13,771
			5000**	5000*	5000*	12,286	15,600

\* 204 mm thick

\*\* Available as 2-piece basin

\*\*\* Recommended dimensions (subject to change upon request)