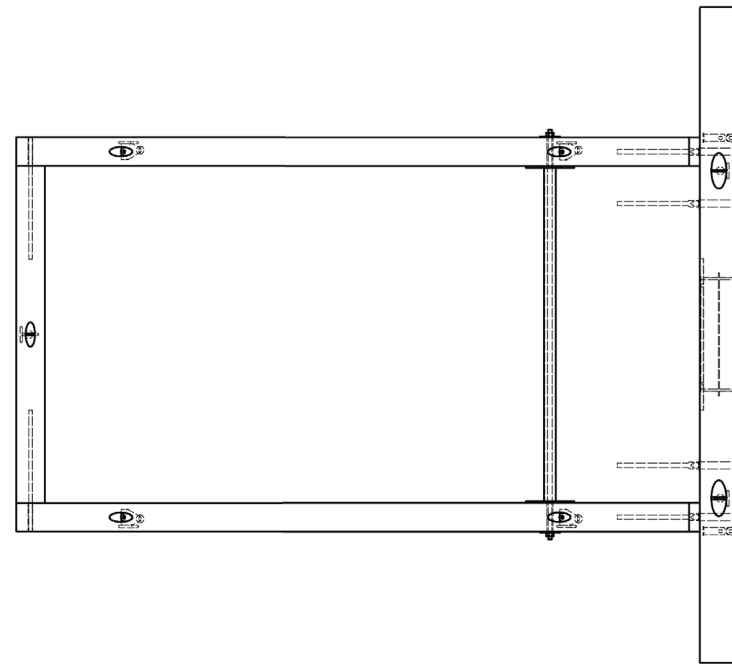


Structure Sizes

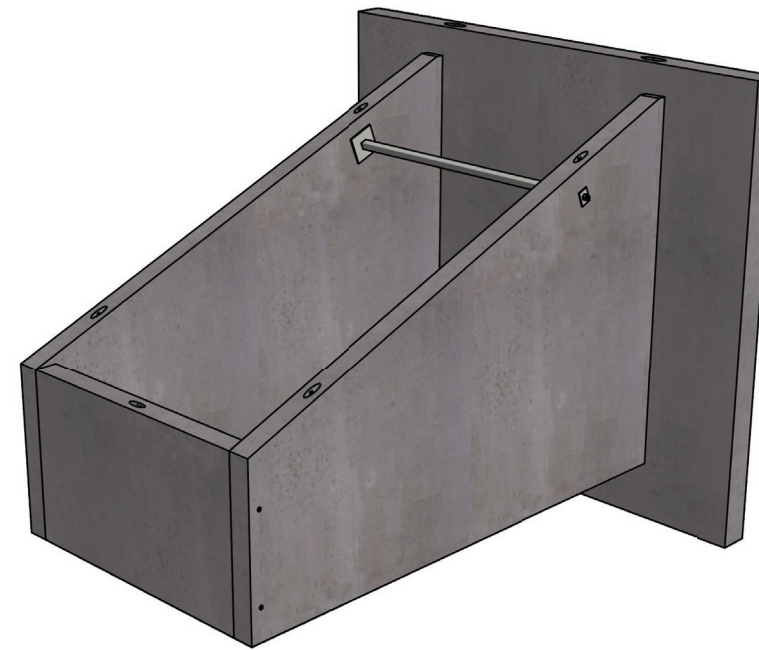
- Size chart on following page

Information

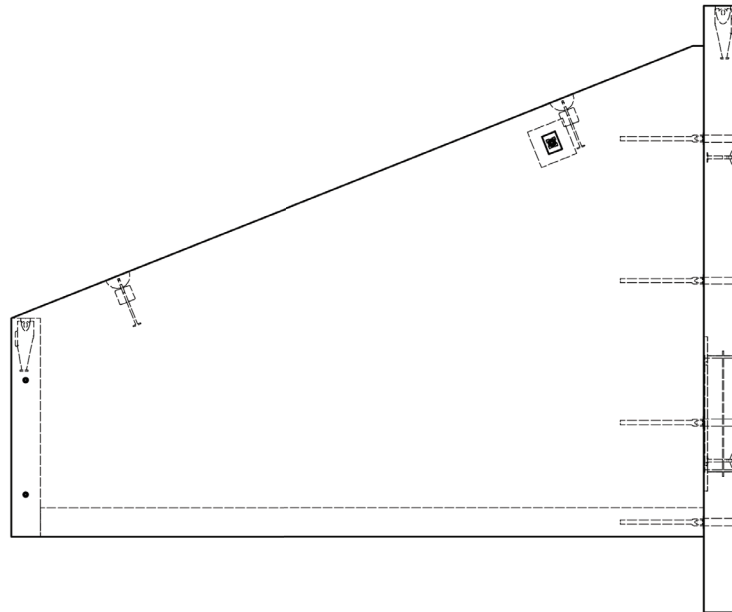
- Designed for inlet and outlet control
- Easy and fast to install
- Works in combination with Check and Check/Drop Structures
- Fits the shape of canal or existing topography, flow required and pipe size
- Headwall acts as an anchor and seepage barrier
- Compatible with many gates and can be customized with upgrades like trash racks



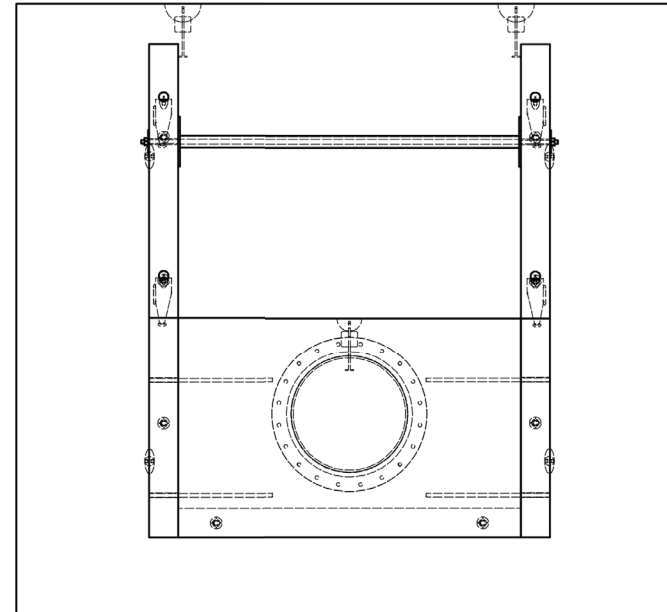
Plan View



Isometric 3D



Side Elevation View



Front Elevation View

Structure Sizes

	A	B	C	D	E	F	G	H	H1 (kg)	B1 (kg)
STO	2.0	400	1000	1300	700	200	2250	3000	2472	990
	2.5	400	1000	1300	525	500	2000	3000	2197	935
MTO	2.0	400	1000	2300	1150	500	3000	3000	3296	1890
	2.5	400	1000	2300	920	200	3000	3000	3296	1762
LTO	2.0	400	1000	3100	1600	500	3500	3000	3845	2833
	2.5	400	1000	3100	1240	500	3250	3000	3570	2743

A	B	C	D	E	F	H1 (kg)	B1 (kg)
2.0	500	1500	2000	2750	3500	3,525	2,964
			2500	3250	3500	4,165	4,149
			2500	3000	3500	3,845	3,750
			3500	3750	3500	4,806	6,272
			3000	3000	3500	3,845	4,597
			4500	4250	3500	5,447	8,757
			3500	3250	3500	4,165	5,503
		2000	2000	2750	4000	4,028	3,443
			4000	3500	3500	4,486	6,470
			2500	3000	4000	4,394	4,320
			4500	3500	3500	4,486	7,496
			3000	3000	4000	4,394	5,256
			5000	3750	3500	4,806	8,584
		2500	2000	2750	4500	4,532	3,922
			2000	3000	4500	4,943	4,181
			2500	3000	4500	4,943	4,889
			3000	3500	4500	5,767	6,485
			3000	3000	4500	4,943	5,916
			4000	4000	4500	6,591	9,150
			3500	3250	4500	5,355	7,003
			5000**	4500*	4500*	9,952	12,176
		3000	2000	2750	5000	5,035	4,401
			2500	3250	5000	5,950	5,857
			2500	3000	5000	5,493	5,458
			3000	3000	5000	5,493	6,575
			4000	3500	5000	6,408	8,990
			4500	3500	5000	6,408	10,228
			5000**	3750	5000	6,866	11,646

A	B	C	D	E	F	H1 (kg)	B1 (kg)
2.0	1000	1500	2000	3250	3500	4,165	4,012
			2500	3500	3500	4,486	4,979
			3000	3500	3500	4,486	6,006
			3500	3750	3500	4,806	7,093
			4000	4000	3500	5,127	8,240
			4500	4000	3500	5,127	9,448
			5000	4250	3500	5,447	10,716
		2000	2000	3250	4000	5,127	4,581
			2500	3500	4000	4,760	5,638
			3000	3500	4000	5,127	6,756
			3500	3750	4000	5,127	7,933
			4000	4000	4000	5,493	9,171
			4500	4000	4000	5,859	10,469
			5000**	4250	4000	5,859	11,827
		2500	2000	3250	4500	6,225	5,151
			2500	3500	4500	5,355	6,298
			3000	3500	4500	5,767	7,506
			3500	3750	4500	5,767	8,773
			4000	4000	4500	6,179	10,101
			4500**	4000	4500	6,591	11,490
			5000**	4250	4500	6,591	12,938
		3000	2000	3250	5000	7,003	5,720
			2500	3500	5000	5,950	6,957
			3000	3500	5000	6,408	8,255
			3500	3750	5000	6,408	9,613
			4000	4000*	5000*	6,866	11,032
			4500**	4000*	5000*	9,829	12,510
			5000**	4000*	5000*	9,829	14,049

Structure Sizes

A	B	C	D	E	F	H1 (kg)	B1 (kg)
2.5	500	1500	2000	3000	3500	3,845	3,223
			2500	3250	3500	4,165	4,149
			3000	3500	3500	4,486	5,166
			3500	3750	3500	4,806	6,272
			4000	4000	3500	5,127	7,469
			4500	4250	3500	5,447	8,757
			5000	4500	3500	5,767	10,134
			2000	2000	3000	4,394	3,702
			2500	3250	4000	4,760	4,719
			3000	3500	4000	5,127	5,825
	3500	3750	4000	5,493	7,022		
	4000	4000	4000	5,859	8,310		
	4500**	4250	4000	6,225	9,687		
	4500**	4250	4000	6,225	9,687		
	2500	2000	3000	4,943	4,181		
	2500	3250	4500	5,355	5,288		
	3000	3500	4500	5,767	6,485		
	3500	3750	4500	6,179	7,772		
	4000	4000	4500	6,591	9,150		
	4500**	4250	4500	7,003	10,618		
5000**	4500*	4500*	9,952	12,176			
3000	2000	3500	5,000	6,408	5,979		
2500	3750	5000	6,866	7,356			
3000	4000*	5000*	9,829	8,825			
3500	4250*	5000*	10,443	10,383			
4000	4500*	5000*	11,058	12,032			
4500**	4750*	5000*	11,672	13,771			
5000**	5000*	5000*	12,286	15,600			

A	B	C	D	E	F	H1 (kg)	B1 (kg)	
2.5	1000	1500	2000	3500	3500	4,486	4,271	
			2500	3750	3500	4,806	5,378	
			3000	4000	3500	5,127	6,575	
			3500	4250	3500	5,447	7,862	
			4000	4500	3500	5,767	9,240	
			4500**	4750	3500	6,088	10,708	
			5000**	5000	3500	6,408	12,266	
			2000	2000	3500	4,000	5,127	4,840
			2500	3750	4000	5,493	6,037	
			3000	4000	4000	5,859	7,325	
			3500	4250	4000	6,225	8,703	
			4000	4500	4000	6,591	10,171	
			4500**	4750	4000	6,957	11,729	
			5000**	4750	4000*	9,829	13,378	
			2500	2000	3500	4,500	5,767	5,410
	2500	3750	4500	6,179	6,697			
	3000	4000	4500	6,591	8,075			
	3500	4250	4500	7,003	9,543			
	4000	4500*	4500*	9,952	11,101			
	4500**	4750*	4500*	10,505	12,750			
	5000**	5000*	4500*	11,058	14,489			
	3000	2000	3500	5,000	6,408	5,979		
	2500	3750	5000	6,866	7,356			
	3000	4000*	5000*	9,829	8,825			
	3500	4250*	5000*	10,443	10,383			
	4000	4500*	5000*	11,058	12,032			
	4500**	4750*	5000*	11,672	13,771			
	5000**	5000*	5000*	12,286	15,600			

Structure Sizes

A	B	C	D	E	F	H1 (kg)	B1 (kg)
3.0	500	1500	2000	3000	3500	3,845	3,068
			2500	3250	3500	4,165	4,149
			2500	3000	3500	3,845	3,910
			3500	3750	3500	4,806	6,272
			3000	3250	3500	4,165	4,824
			4500	4250	3500	5,447	8,757
			3500	3500	3500	4,486	5,811
		2000	2000	3000	4000	4,394	3,547
			2500	3000	4000	4,394	4,479
			3000	3250	4000	4,760	5,484
			3500	3500	4000	5,127	6,561
			4000	3750	4000	5,493	7,710
			4500	4000	4000	5,859	8,931
			5000	4000	4000	5,859	10,225
		2500	2000	3000	4500	4,943	4,026
			2500	3000	4500	4,943	5,048
			3000	3250	4500	5,355	6,143
			3500	3500	4500	5,767	7,310
			4000	3750	4500	6,179	8,550
			4500	4000	4500	6,591	9,862
			5000**	4000	4500	6,591	11,246
		3000	2000	3000	5000	5,493	4,504
			2500	3000	5000	5,493	5,617
			3000	3250	5000	5,950	6,803
			3500	3500	5000	6,408	8,060
			4000	3750	5000	6,866	9,390
			4500	4000*	5000	9,829	10,792
			5000**	4000*	5000	9,829	12,266

A	B	C	D	E	F	H1 (kg)	B1 (kg)
3.0	1000	1500	2000	3500	3500	4,486	4,116
			2500	3500	3500	4,486	5,139
			3000	3750	3500	4,806	6,234
			3500	4000	3500	5,127	7,401
			4000	4250	3500	5,447	8,640
			4500	4500	3500	5,767	9,952
			5000**	4500	3500	5,767	11,336
		2000	2000	3500	4000	5,127	4,685
			2500	3250	4500	5,355	5,288
			2500	3500	4000	5,127	5,798
			3500	3750	4500	6,179	7,772
			3000	3750	4000	5,493	6,983
			4500**	4250	4500	7,003	10,618
			3500	4000	4000	5,859	8,241
		2500	2000	3500	4500	5,767	5,254
			2500	3500	4500	5,767	6,458
			3000	3750	4500	6,179	7,733
			3500	4000	4500	6,591	9,081
			4000**	4250	4500	7,003	10,501
			4500**	4500*	4500	9,952	11,994
			5000**	4500*	4500	9,952	13,558
		3000	2000	3500	5000	6,408	5,823
			2500	3500	5000	6,408	7,117
			3000	3500	5000	6,866	8,483
			3500	4000*	5000*	9,829	9,921
			4000**	4250*	5000*	10,443	11,432
			4500**	4500*	5000*	11,058	13,015
			5000**	4500*	5000*	11,058	14,670