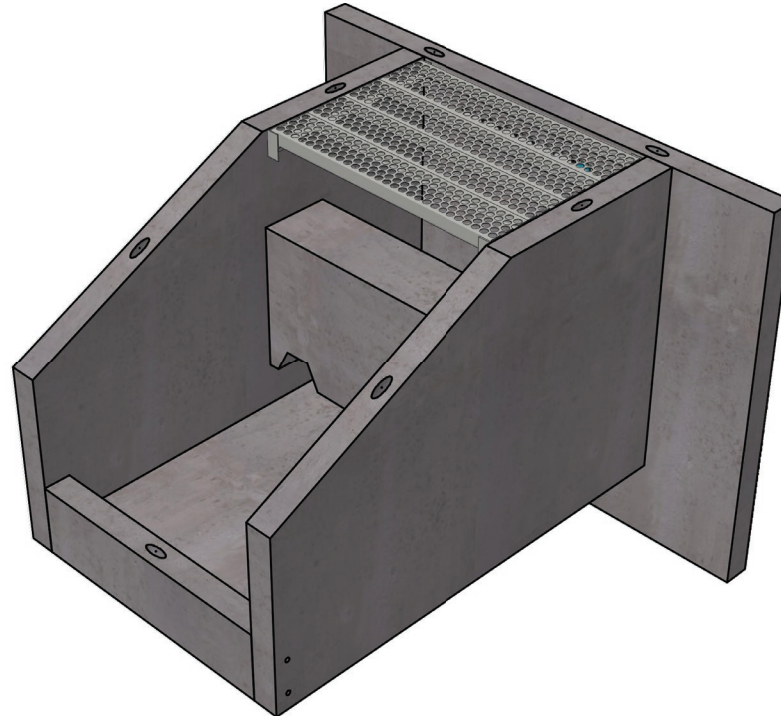
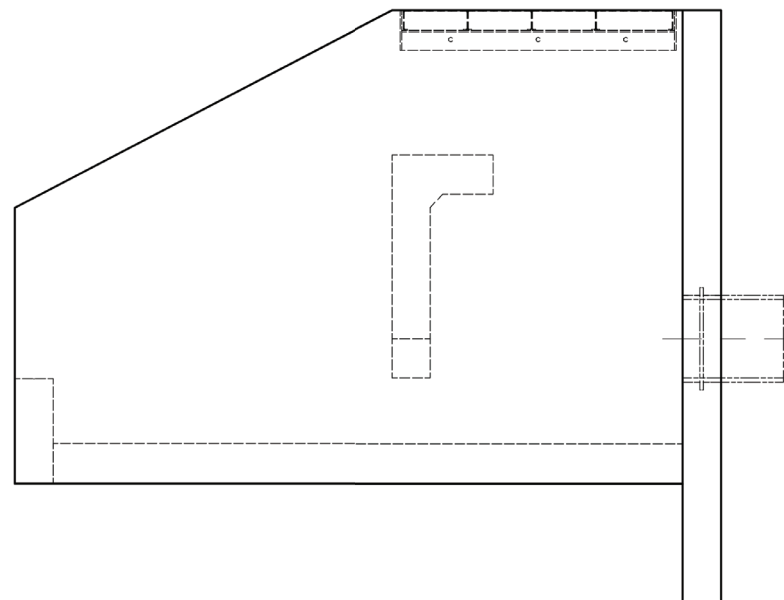


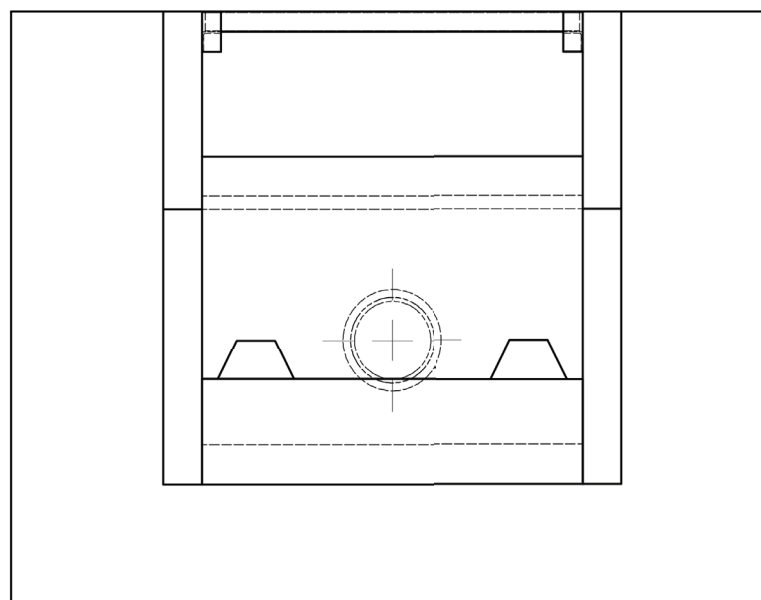
Plan View



Isometric 3D



Side Elevation View



Front Elevation View

Structure Sizes

Model	Pipe Ø	Max Q	Model	Pipe Ø	Max Q
	mm	m ³ /s		mm	m ³ /s
IB 1	305	0.40	IB 4	305	1.33
	406	0.51		406	1.72
	508	0.61		508	2.00
IB 2	305	0.67	610	2.30	
	406	0.83	762	2.76	
	508	1.00	914	3.19	
	610	1.16	1067	3.57	
	762	1.35	IB 5	305	1.56
IB 3	305	1.01		406	2.25
	406	1.23		508	2.65
	508	1.46		610	3.01
	610	1.69		762	3.57
	762	2.02	914	4.15	
914	2.30	1067	4.69		
			1220	5.18	
			1372	5.59	

Information

- Outlet structure that dissipates water energy
- Reintroduces water into canals or rivers
- Designed to USBR standards
- Headwall used to anchor and act as a seepage barrier
- Many options for pipe connection
- Metal grating walkway available