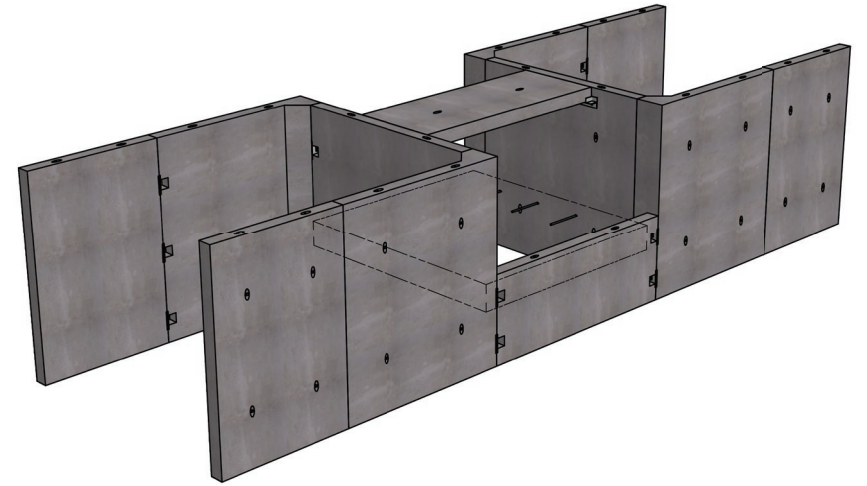
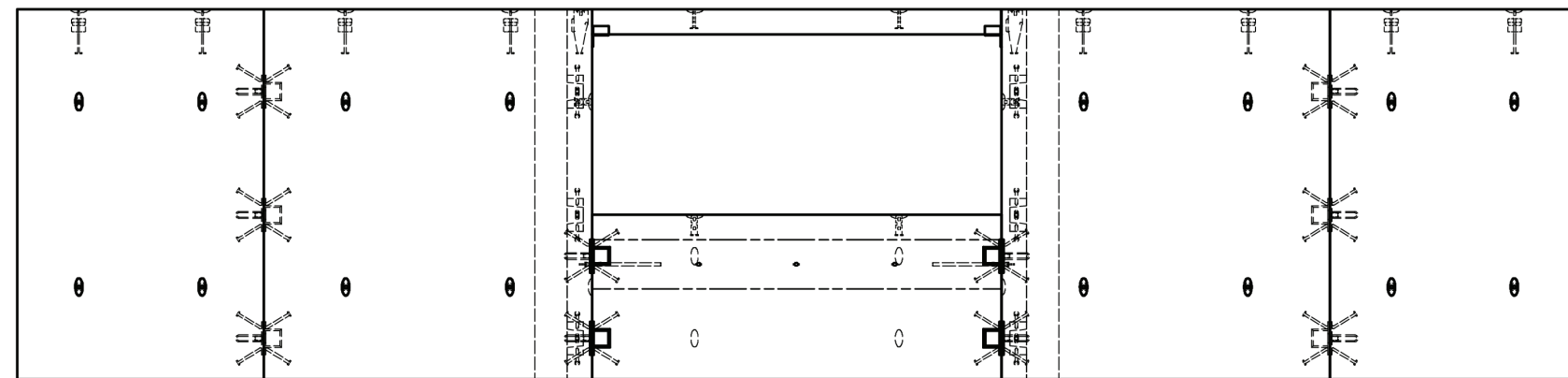


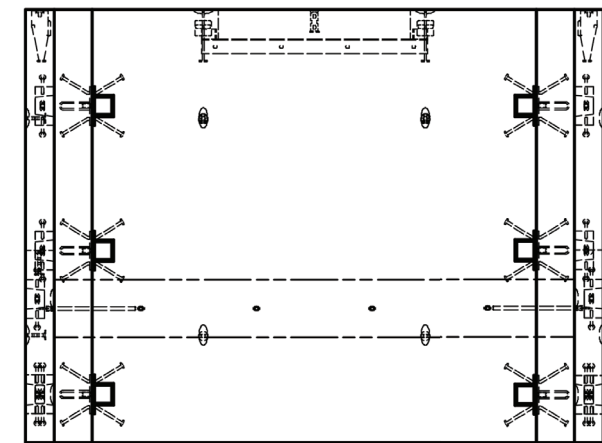
Plan View



Isometric 3D



Front Elevation View



Side Elevation View

Information

- Anchored into canal bank to control water levels and velocity, while measuring flow
- Multi-piece structure that is easy to install
- Double wall water cut-off, preventing erosion and seepage
- Designed to USBR standards
- Works in combination with Inlet/Turnouts
- Handles water flows up to 3.5m³/sec
- Compatible with many popular gate system

Structure Sizes

Model	Water Flow (Q)		Water Depth (d)		Free Board (Fb)		Canal Depth (D)	
	m ³ /s	cfs	mm	feet	mm	feet	mm	feet
CS 1.0	1.00	35	800	2.62	500	1.64	1300	4.27
CS 1.5	1.50	53	900	2.95	500	1.64	1400	4.59
CS 2.0	2.00	71	1100	3.61	600	1.97	1700	5.58
CS 2.5	2.50	88	1200	3.94	700	2.30	1900	6.24
CS 3.0	3.00	106	1300	4.27	700	2.30	2000	6.56
CS 3.5	3.50	124	1450	4.76	700	2.30	2150	7.06

Model	Structure Height (H)		Sill Panel Height (h1)		Opening Height (h)		Sill (S)		Structure Width (W)						Basin Length (L)			
									2:1 Canal Slope		2.5:1 Canal Slope		3:1 Canal Slope		Stoplog Langemann		Overshot Gate	
	m ³ /s	cfs	mm	feet	mm	feet	mm	feet	mm	feet	mm	feet	mm	feet	mm	feet	mm	feet
CS 1.0	1.00	35	800	2.62	500	1.64	1300	4.27	8500	27.89	9500	31.17	10500	34.45	2500	8.20	3000	9.84
CS 1.5	1.50	53	900	2.95	500	1.64	1400	4.59	9000	29.53	10000	32.81	12000	39.38	3000	9.84	3500	11.48
CS 2.0	2.00	71	1100	3.61	600	1.97	1700	5.58	10000	32.81	12000	39.38	14000	45.94	3000	9.84	3500	11.48
CS 2.5	2.50	88	1200	3.94	700	2.30	1900	6.24	11500	37.73	13500	44.30	15500	50.86	3500	11.48	4000	13.12
CS 3.0	3.00	106	1300	4.27	700	2.30	2000	6.56	12000	39.38	14000	45.94	16000	52.50	3500	11.48	4000	13.12
CS 3.5	3.50	124	1450	4.76	700	2.30	2150	7.06	13000	42.66	15000	49.22	17000	55.78	4500	14.76	5000	16.40