

NOTES:

- ALL DIMENSIONS ARE IN MILLIMETERS UNLESS OTHERWISE NOTED
- ALL ELEVATIONS ARE IN METERS ABOVE SEA LEVEL
- TYPE G TOP APPROVED ONLY FOR CITY OF CALGARY. APPLICABLE SPECIFICATIONS TO BE FOLLOWED.

STANDARD TEMPLATE

PROPRIETARY AND CONFIDENTIAL:
 THE INFORMATION CONTAINED IN THIS DRAWING IS THE SOLE PROPERTY OF PRECON MANUFACTURING LTD. ANY REPRODUCTION IN PART OR AS A WHOLE WITHOUT THE WRITTEN PERMISSION OF PRECON MANUFACTURING LTD. IS PROHIBITED.



© Precon Manufacturing Ltd. www.precon.ca 1-800-661-8020

CONTRACTOR:
PRECON

PROJECT:
CATCH BASIN MATERIAL

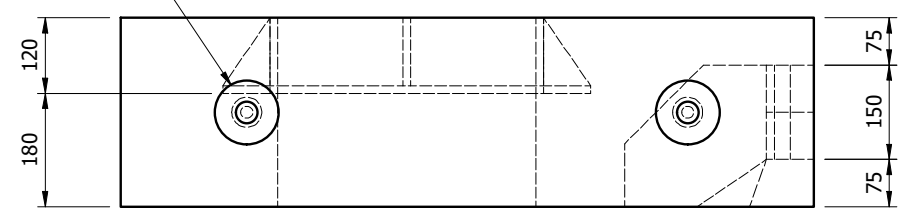
LOCATION:

DESCRIPTION:
TYPE G SLAB TOP

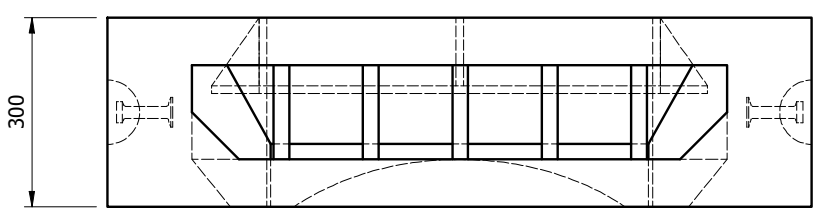
STRUCTURE NAME:

DRAWN:	CHECKED:
DATE CREATED: 11/18/2022	REQUIRED:
LAST REVISION:	SCALE:
PROJECT NUMBER:	DRAWING:

(4) 4 TON x 3 1/2" LIFTING ANCHORS

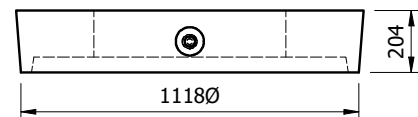
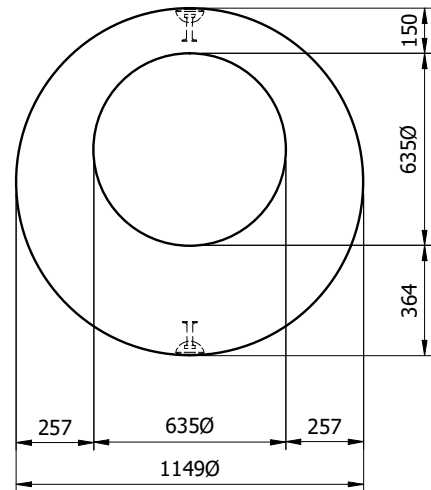


ELEVATION A

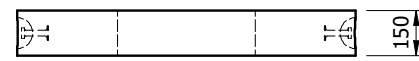
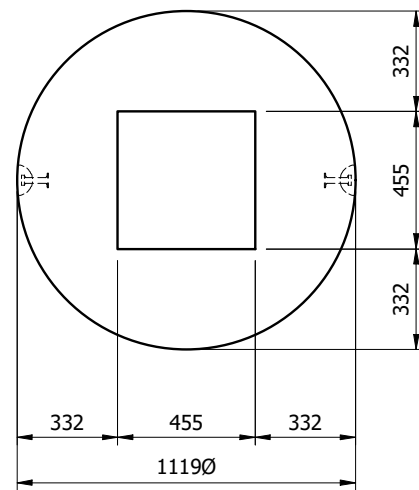


ELEVATION B

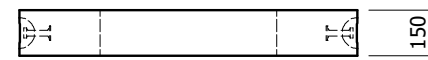
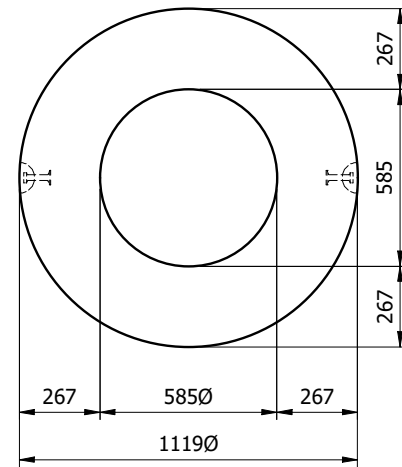
APPROXIMATE WEIGHTS			
PIECE	lb	kg	BURY DEPTH
T1	1,332	605	-



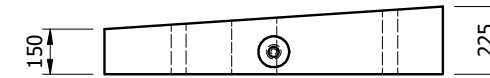
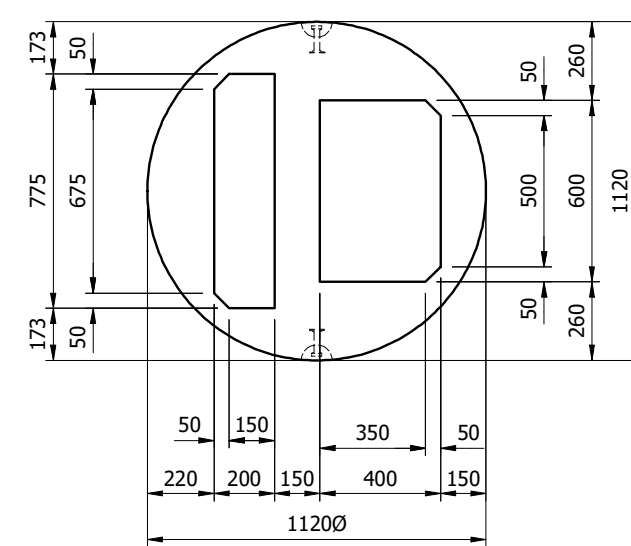
6350 CB TOP
(ALSO REFERRED TO AS "K6" OR "F-33" TOP)
EDM 4A, 6, 8



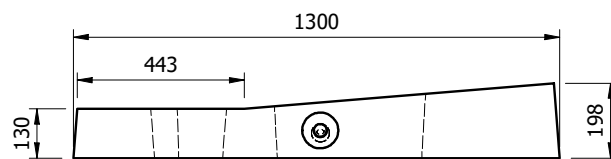
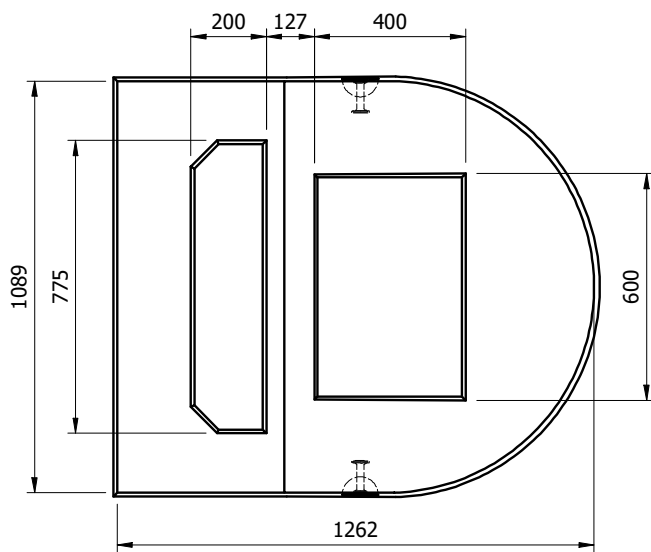
TYPE-E CB TOP
(ALSO REFERRED TO AS "SK7" TOP)
LETH TYPE 1 & ROLLED CURB



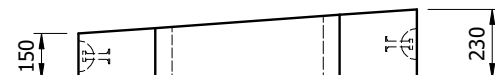
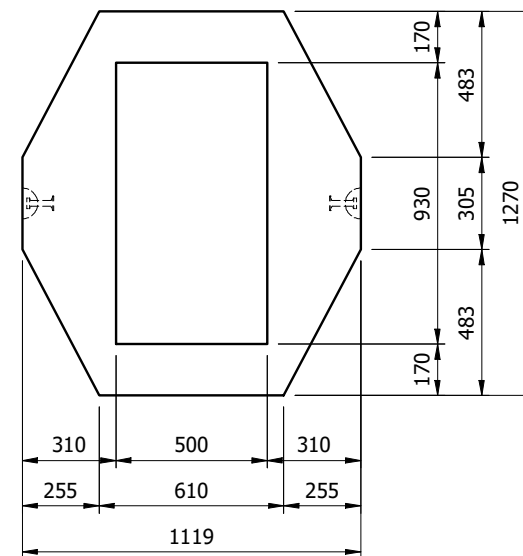
TYPE-K4 CB TOP
(ALSO REFERRED TO AS "LT" TOP)
LETH TYPE 3



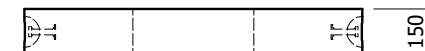
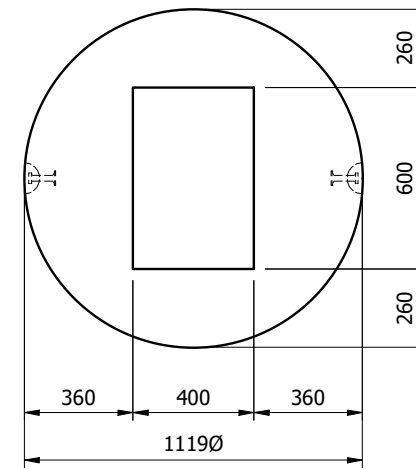
CITY OF EDMONTON TYPE-T CB TOP



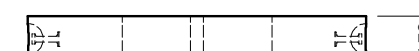
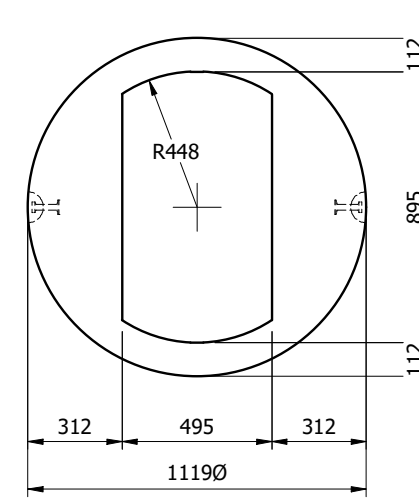
TYPE-T CB TOP
(ALSO REFERRED TO AS "K1" OR "C" TOP)
STANDARD CURB



TYPE-K2 CB TOP



TYPE-K3 CB TOP
(ALSO REFERRED TO AS "CT" OR "NF-51" TOP)
LETH TYPE-2



TYPE-DK7 CB TOP

NOTES:
- ALL DIMENSIONS ARE IN MILLIMETERS UNLESS OTHERWISE NOTED
- ALL ELEVATIONS ARE IN METERS ABOVE SEA LEVEL

ALL TOP - (2) 4 TON x 3 1/2" LIFTING ANCHORS

** PARKS CB - 1200Ø BELL x BELL

APPROXIMATE WEIGHTS		
PIECE	lb	kg
6350Ø	530	241
TYPE-E	617	280
TYPE-T	739	336
TYPE-K2	715	325
TYPE-K3	591	269
TYPE-K4	568	258
TYPE-DK7	448	204
CoE TYPE-T	584	265

STANDARD TEMPLATE

PROPRIETARY AND CONFIDENTIAL:
THE INFORMATION CONTAINED IN THIS DRAWING IS THE SOLE PROPERTY OF PRECON MANUFACTURING LTD. ANY REPRODUCTION IN PART OR AS A WHOLE WITHOUT THE WRITTEN PERMISSION OF PRECON MANUFACTURING LTD. IS PROHIBITED.



© Precon Manufacturing Ltd. www.precon.ca 1-800-661-8020

CONTRACTOR:
PRECON

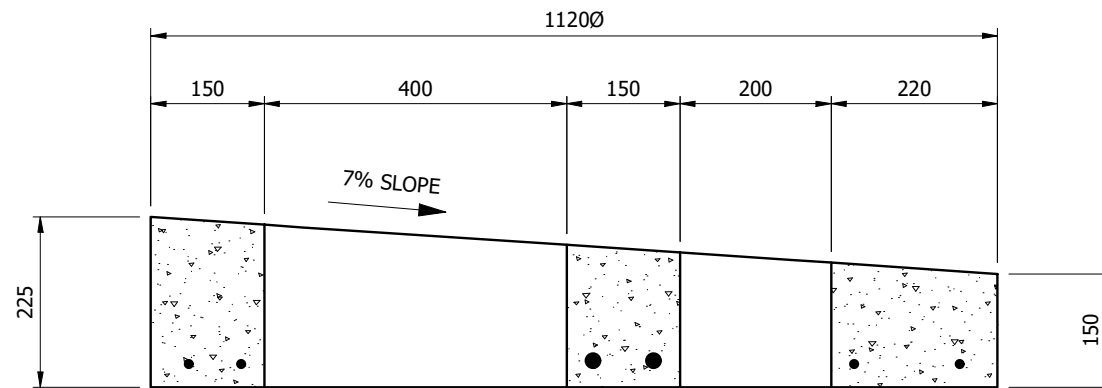
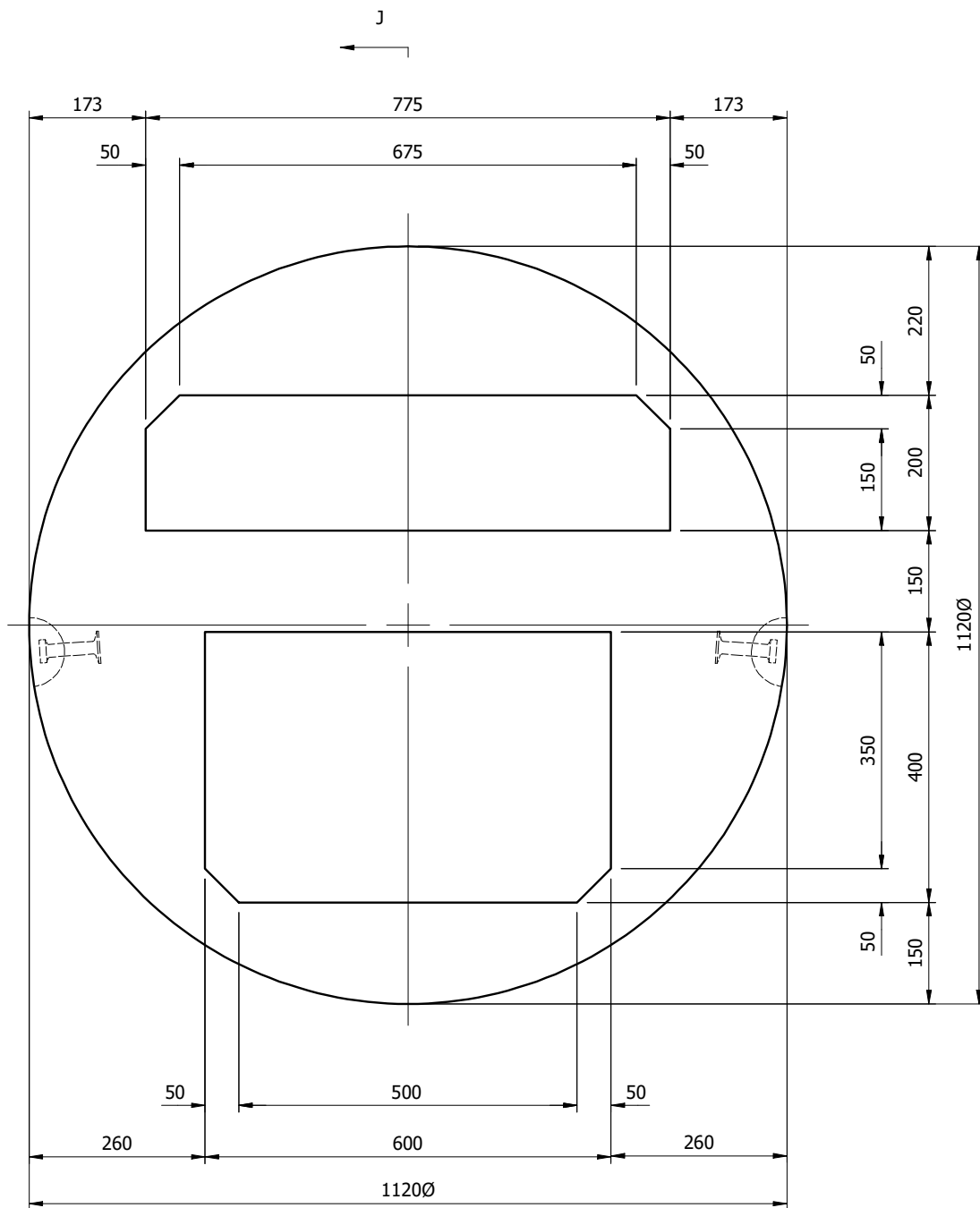
PROJECT:
CATCH BASIN MATERIAL

LOCATION:

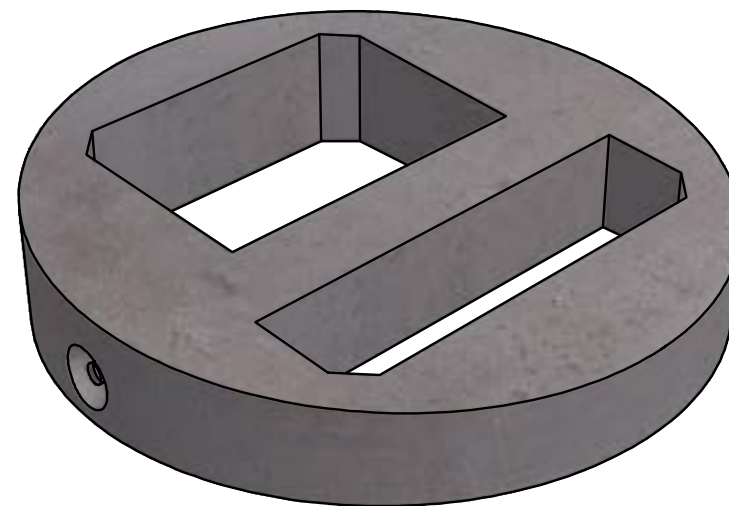
DESCRIPTION:
CATCH BASIN TOP DETAILS

STRUCTURE NAME:
CATCH BASIN TOPS

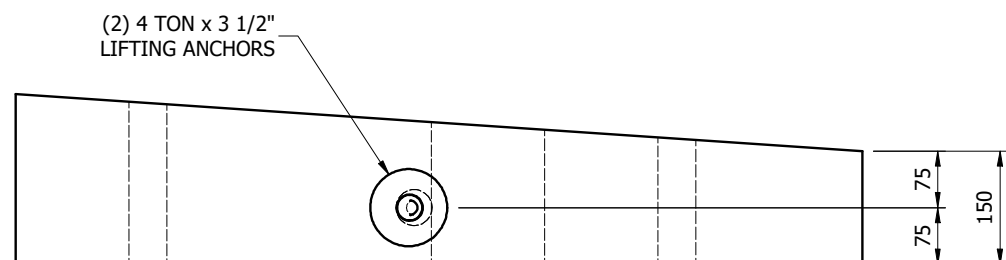
DRAWN:	CHECKED:
DATE CREATED: 11/17/2022	REQUIRED:
LAST REVISION:	SCALE:
PROJECT NUMBER:	DRAWING:



SECTION F-F
SCALE 1:10



FOR USE WITH TYPE F-51 WITH SIDE INLET FRAME AND GRATING



ELEVATION A

APPROXIMATE WEIGHTS			
PIECE	lb	kg	BURY DEPTH
T1	584	265	TBD

NOTES:

- ALL DIMENSIONS ARE IN MILLIMETERS UNLESS OTHERWISE NOTED
- ALL ELEVATIONS ARE IN METERS ABOVE SEA LEVEL

STANDARD TEMPLATE

PROPRIETARY AND CONFIDENTIAL:

THE INFORMATION CONTAINED IN THIS DRAWING IS THE SOLE PROPERTY OF PRECON MANUFACTURING LTD. ANY REPRODUCTION IN PART OR AS A WHOLE WITHOUT THE WRITTEN PERMISSION OF PRECON MANUFACTURING LTD. IS PROHIBITED.



© Precon Manufacturing Ltd. www.precon.ca 1-800-661-8020

CONTRACTOR:

PRECON

PROJECT:

CATCH BASIN MATERIAL

LOCATION:

DESCRIPTION:

T-TOP

STRUCTURE NAME:

EDMONTON T-TOP

DRAWN:

CHECKED:

DATE CREATED:

11/17/2022

REQUIRED:

LAST REVISION:

SCALE:

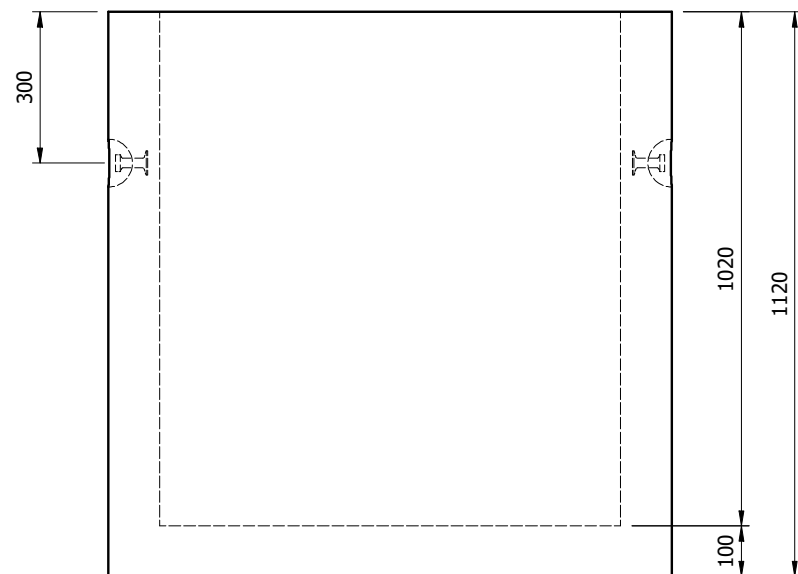
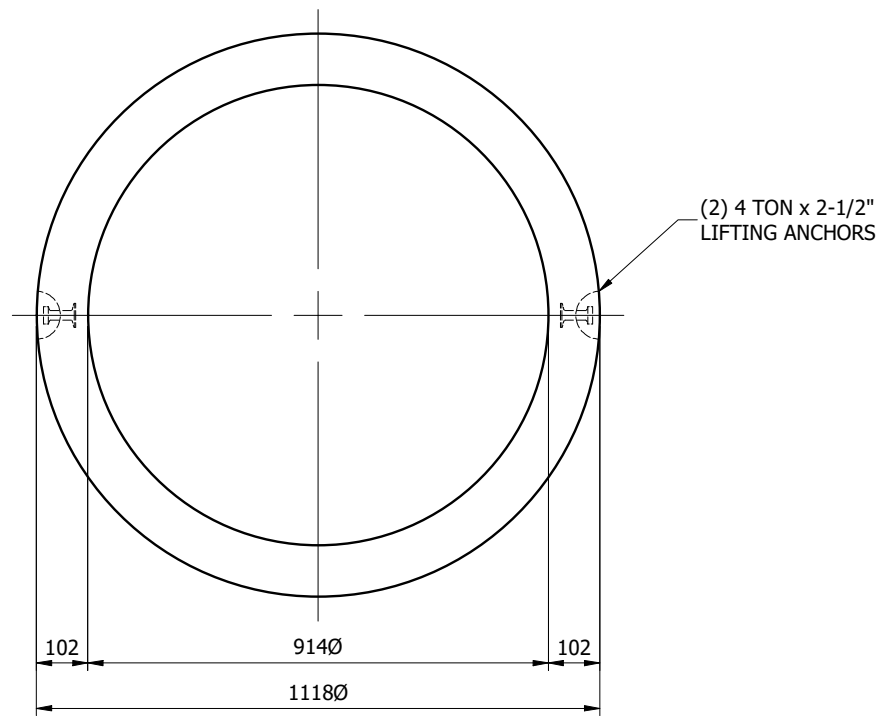
1:10

PROJECT NUMBER:

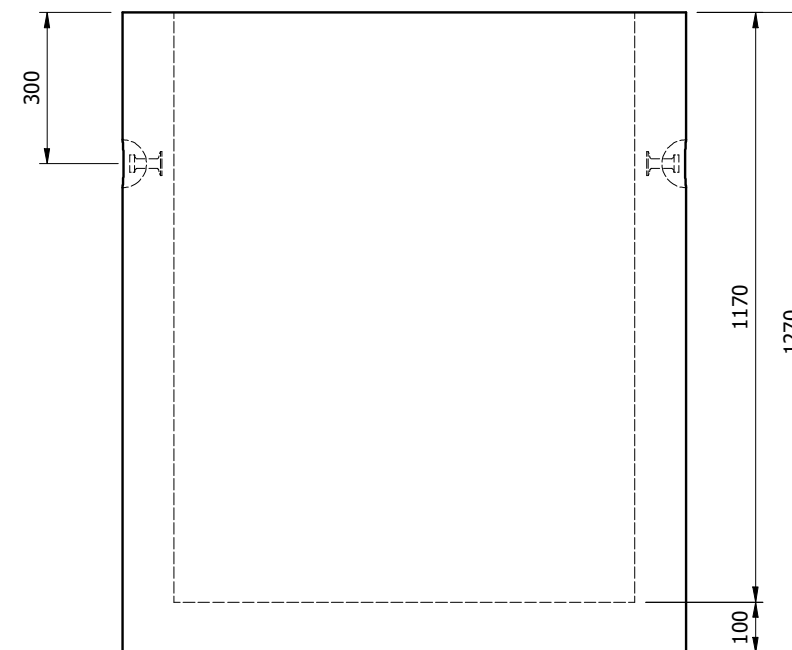
DRAWING:

NOTES:

- ALL DIMENSIONS ARE IN MILLIMETERS UNLESS OTHERWISE NOTED
- ALL ELEVATIONS ARE IN METERS ABOVE SEA LEVEL



1070 FLAT TOP



1220 FLAT TOP

APPROXIMATE WEIGHTS			
PIECE	lb	kg	BURY DEPTH
1070	2,278	1,034	-
1220	2,537	1,151	-

STANDARD TEMPLATE

PROPRIETARY AND CONFIDENTIAL:

THE INFORMATION CONTAINED IN THIS DRAWING IS THE SOLE PROPERTY OF PRECON MANUFACTURING LTD. ANY REPRODUCTION IN PART OR AS A WHOLE WITHOUT THE WRITTEN PERMISSION OF PRECON MANUFACTURING LTD. IS PROHIBITED.



© Precon Manufacturing Ltd. www.precon.ca 1-800-661-8020

CONTRACTOR:
PRECON

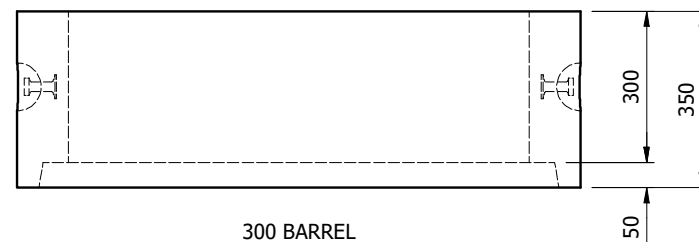
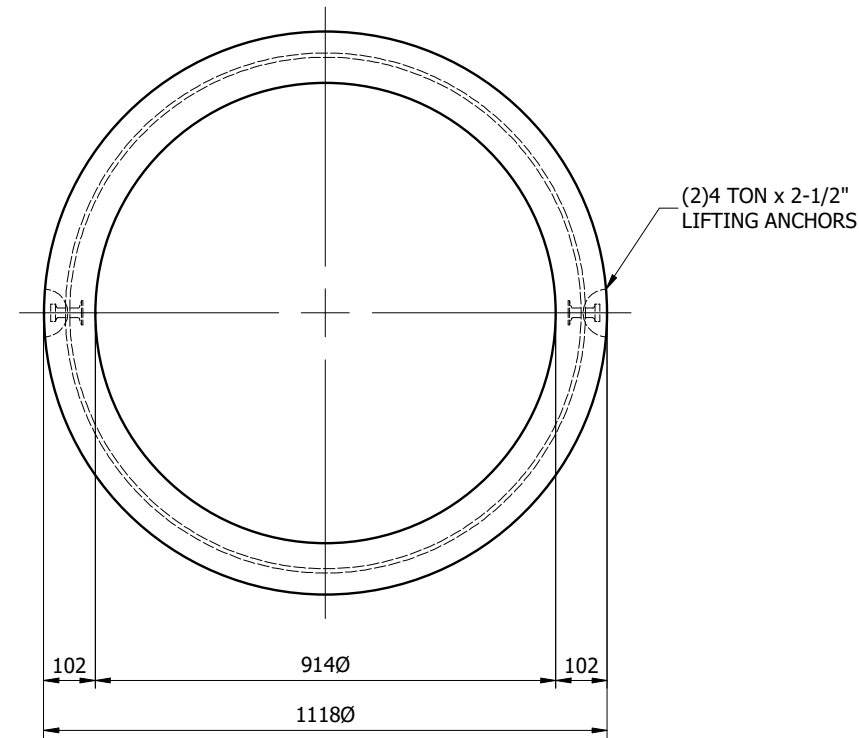
PROJECT:
CATCH BASIN MATERIAL

LOCATION:

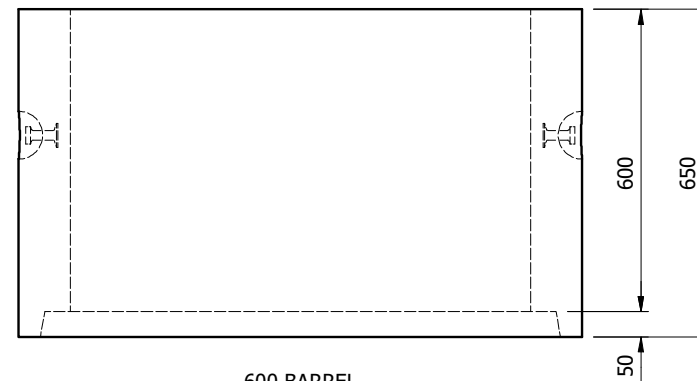
DESCRIPTION:
900Ø FLAT TOP CATCH BASINS

STRUCTURE NAME:

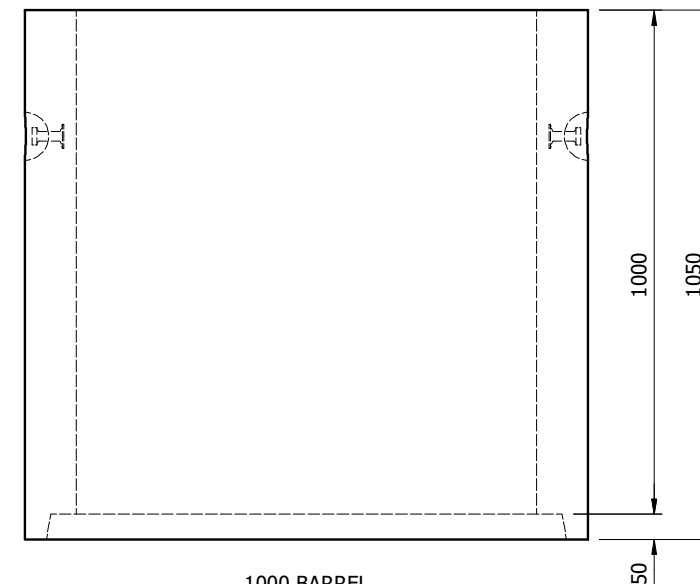
DRAWN:	CHECKED:
DATE CREATED: 11/18/2022	REQUIRED:
LAST REVISION:	SCALE:
PROJECT NUMBER:	DRAWING:



300 BARREL



600 BARREL



1000 BARREL

NOTES:

- ALL DIMENSIONS ARE IN MILLIMETERS UNLESS OTHERWISE NOTED
- ALL ELEVATIONS ARE IN METERS ABOVE SEA LEVEL
- **DRAWING IS FOR INFORMATION PURPOSES ONLY NOT FOR PRODUCTION PURPOSES**

APPROXIMATE WEIGHTS

PIECE	lb	kg
300	558	254
600	1,076	489
1000	1,766	803

STANDARD TEMPLATE

PROPRIETARY AND CONFIDENTIAL:

THE INFORMATION CONTAINED IN THIS DRAWING IS THE SOLE PROPERTY OF PRECON MANUFACTURING LTD. ANY REPRODUCTION IN PART OR AS A WHOLE WITHOUT THE WRITTEN PERMISSION OF PRECON MANUFACTURING LTD. IS PROHIBITED.



© Precon Manufacturing Ltd. www.precon.ca 1-800-661-8020

CONTRACTOR:

PROJECT:

LOCATION:

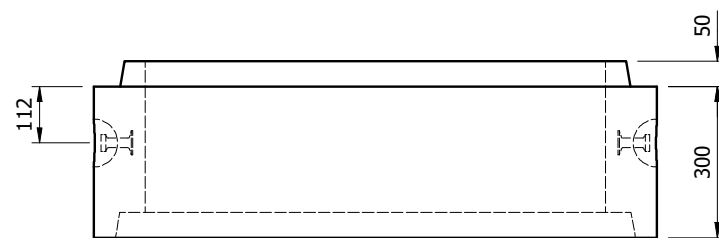
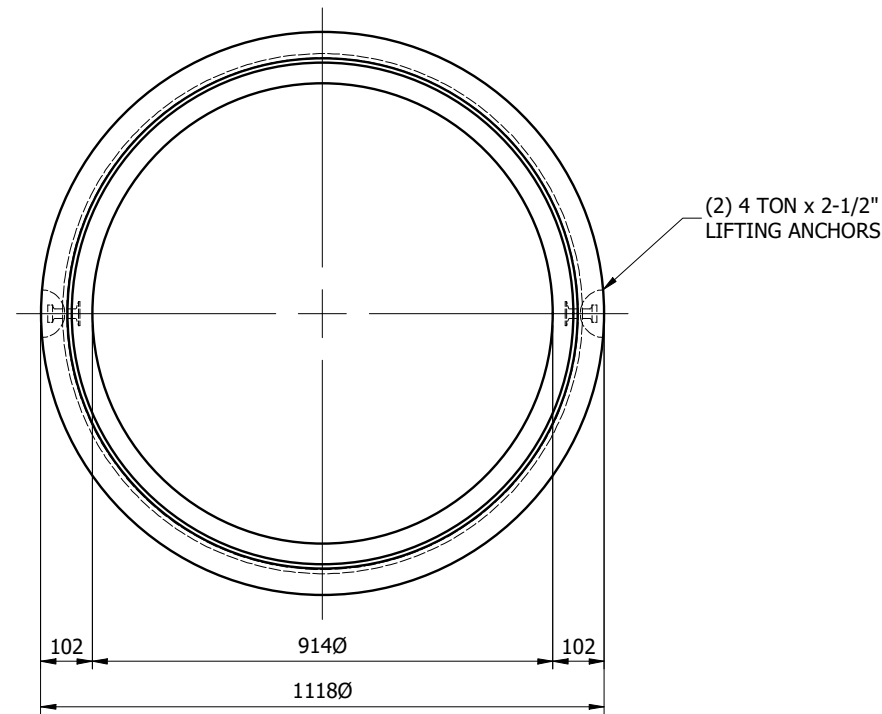
DESCRIPTION:
900Ø FLAT TOP BARRELS

STRUCTURE NAME:

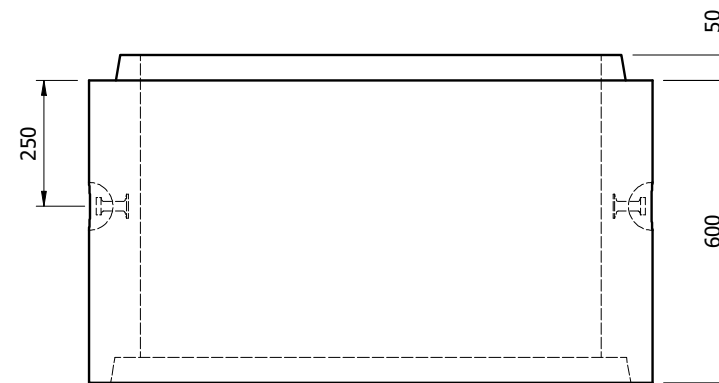
DRAWN: R.GRANT	CHECKED:
DATE CREATED: 04/20/2022	REQUIRED:
LAST REVISION:	SCALE: 1:15
PROJECT NUMBER:	DRAWING:

NOTES:

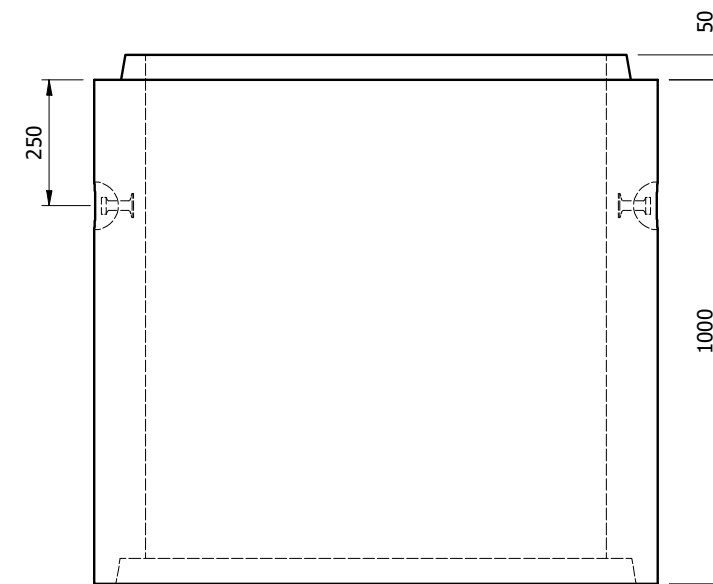
- ALL DIMENSIONS ARE IN MILLIMETERS UNLESS OTHERWISE NOTED
- ALL ELEVATIONS ARE IN METERS ABOVE SEA LEVEL



300 BARREL



600 BARREL



1000 BARREL

APPROXIMATE WEIGHTS			
PIECE	lb	kg	BURY DEPTH
300	507	230	-
800	1,025	465	-
1000	1,715	778	-

STANDARD TEMPLATE

PROPRIETARY AND CONFIDENTIAL:

THE INFORMATION CONTAINED IN THIS DRAWING IS THE SOLE PROPERTY OF PRECON MANUFACTURING LTD. ANY REPRODUCTION IN PART OR AS A WHOLE WITHOUT THE WRITTEN PERMISSION OF PRECON MANUFACTURING LTD. IS PROHIBITED.



© Precon Manufacturing Ltd. www.precon.ca 1-800-661-8020

CONTRACTOR:

PRECON

PROJECT:

CATCH BASIN MATERIAL

LOCATION:

DESCRIPTION:

900Ø BARRELS

STRUCTURE NAME:

DRAWN:

CHECKED:

DATE CREATED: 11/17/2022

REQUIRED:

LAST REVISION:

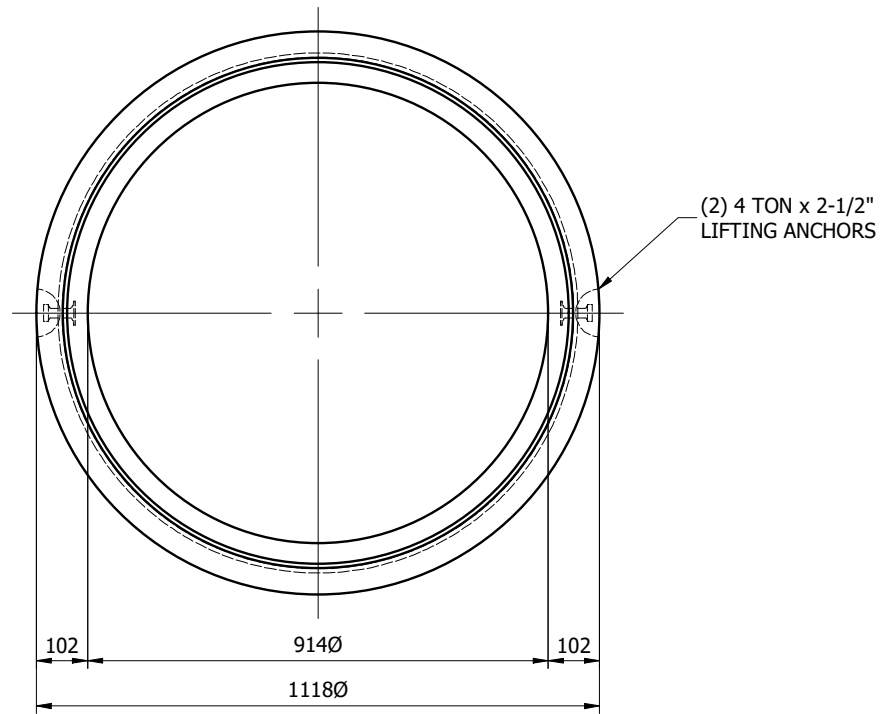
SCALE:

PROJECT NUMBER:

DRAWING:

NOTES:

- ALL DIMENSIONS ARE IN MILLIMETERS UNLESS OTHERWISE NOTED
- ALL ELEVATIONS ARE IN METERS ABOVE SEA LEVEL



STANDARD TEMPLATE

PROPRIETARY AND CONFIDENTIAL:

THE INFORMATION CONTAINED IN THIS DRAWING IS THE SOLE PROPERTY OF PRECON MANUFACTURING LTD. ANY REPRODUCTION IN PART OR AS A WHOLE WITHOUT THE WRITTEN PERMISSION OF PRECON MANUFACTURING LTD. IS PROHIBITED.



© Precon Manufacturing Ltd. www.precon.ca 1-800-661-8020

CONTRACTOR:

PRECON

PROJECT:

CATCH BASIN MATERIAL

LOCATION:

DESCRIPTION:

900Ø FLAT TOP BARRELS

STRUCTURE NAME:

DRAWN:

CHECKED:

DATE CREATED: 01/18/2022

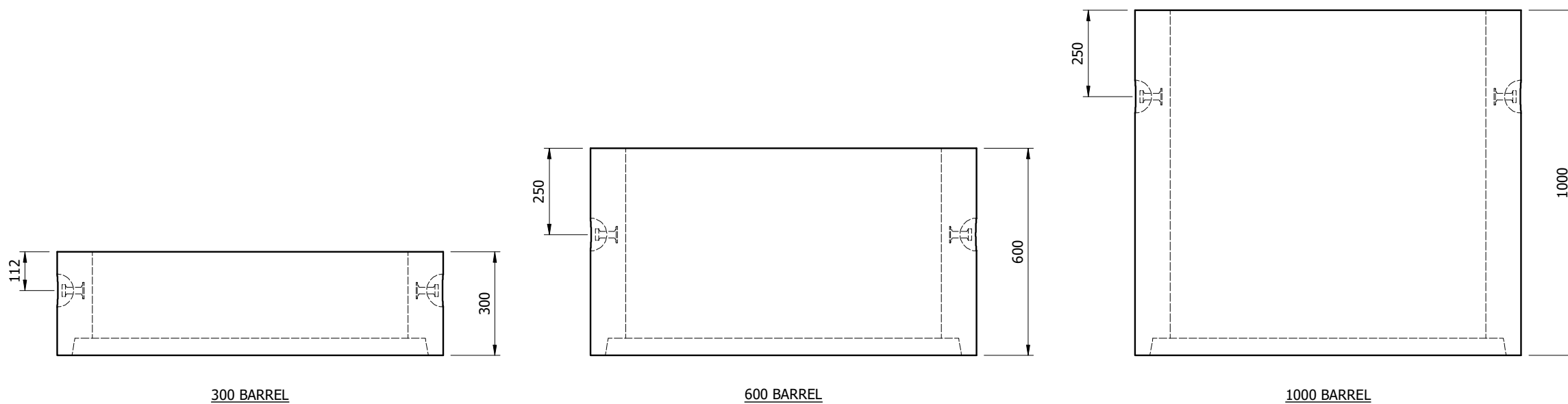
REQUIRED:

LAST REVISION:

SCALE:

PROJECT NUMBER:

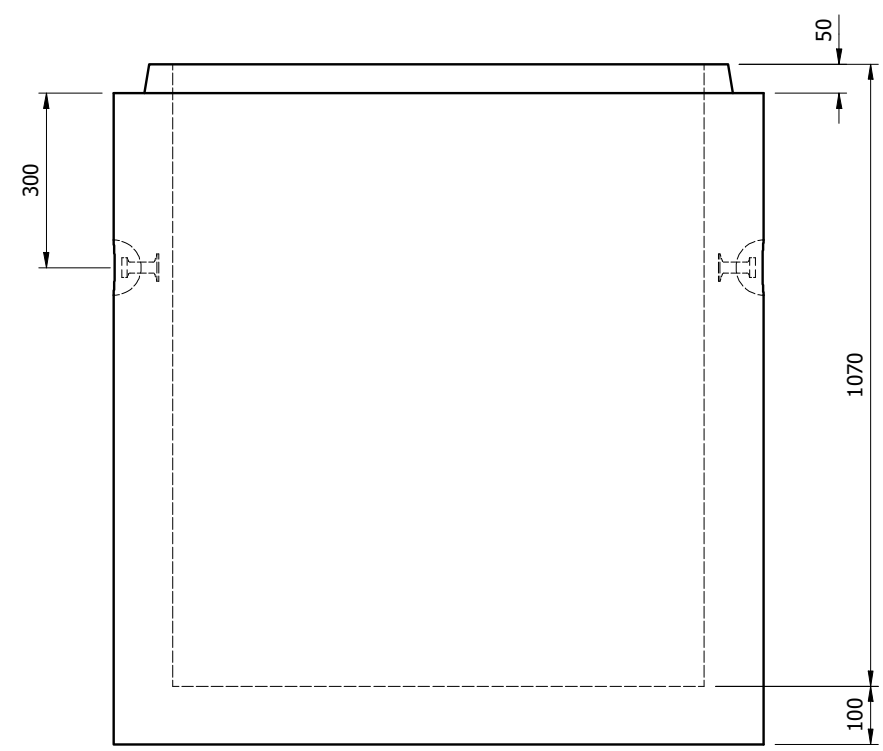
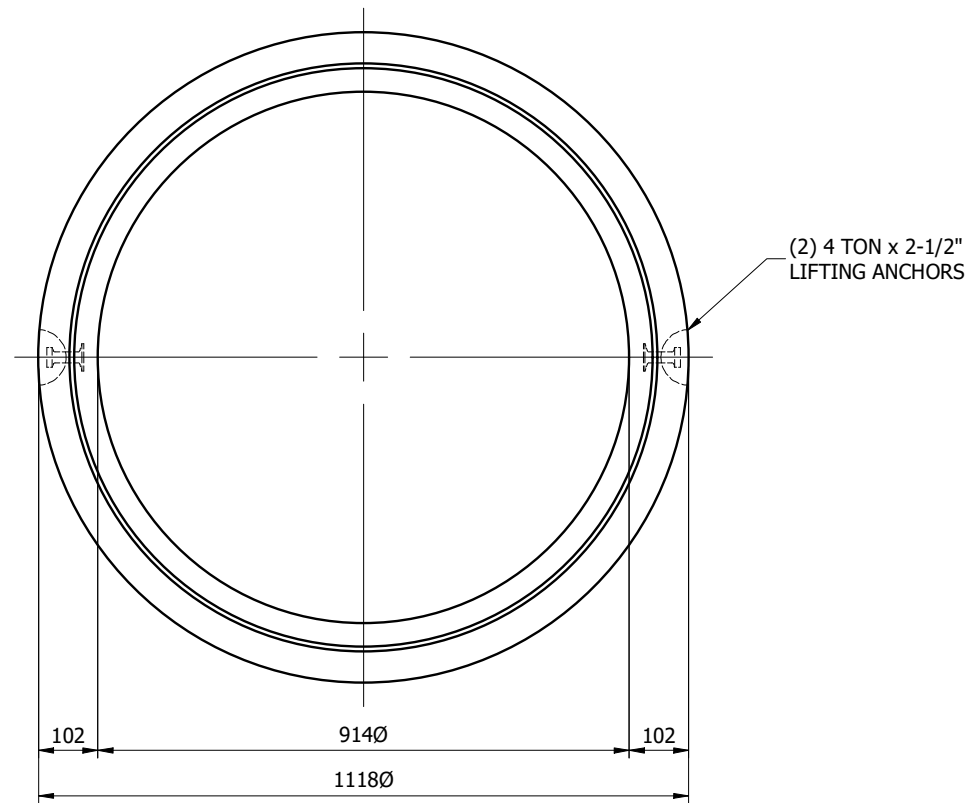
DRAWING:



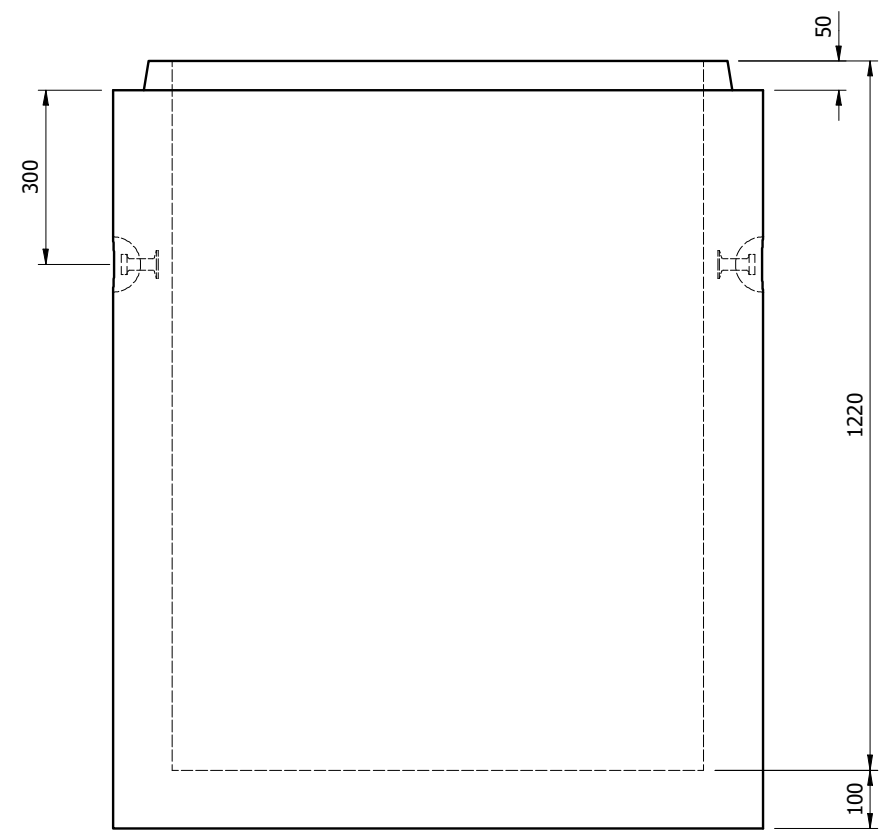
APPROXIMATE WEIGHTS			
PIECE	lb	kg	BURY DEPTH
300	507	230	-
800	1,025	465	-
1000	1,715	778	-

NOTES:

- ALL DIMENSIONS ARE IN MILLIMETERS UNLESS OTHERWISE NOTED
- ALL ELEVATIONS ARE IN METERS ABOVE SEA LEVEL



1070 MONOBASE



1220 MONOBASE

STANDARD TEMPLATE

PROPRIETARY AND CONFIDENTIAL:

THE INFORMATION CONTAINED IN THIS DRAWING IS THE SOLE PROPERTY OF PRECON MANUFACTURING LTD. ANY REPRODUCTION IN PART OR AS A WHOLE WITHOUT THE WRITTEN PERMISSION OF PRECON MANUFACTURING LTD. IS PROHIBITED.



© Precon Manufacturing Ltd. www.precon.ca 1-800-661-8020

CONTRACTOR:
PRECON

PROJECT:
CATCH BASIN MATERIAL

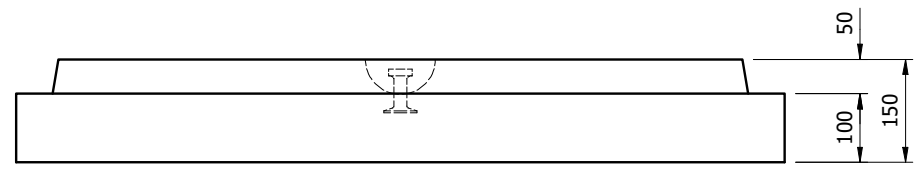
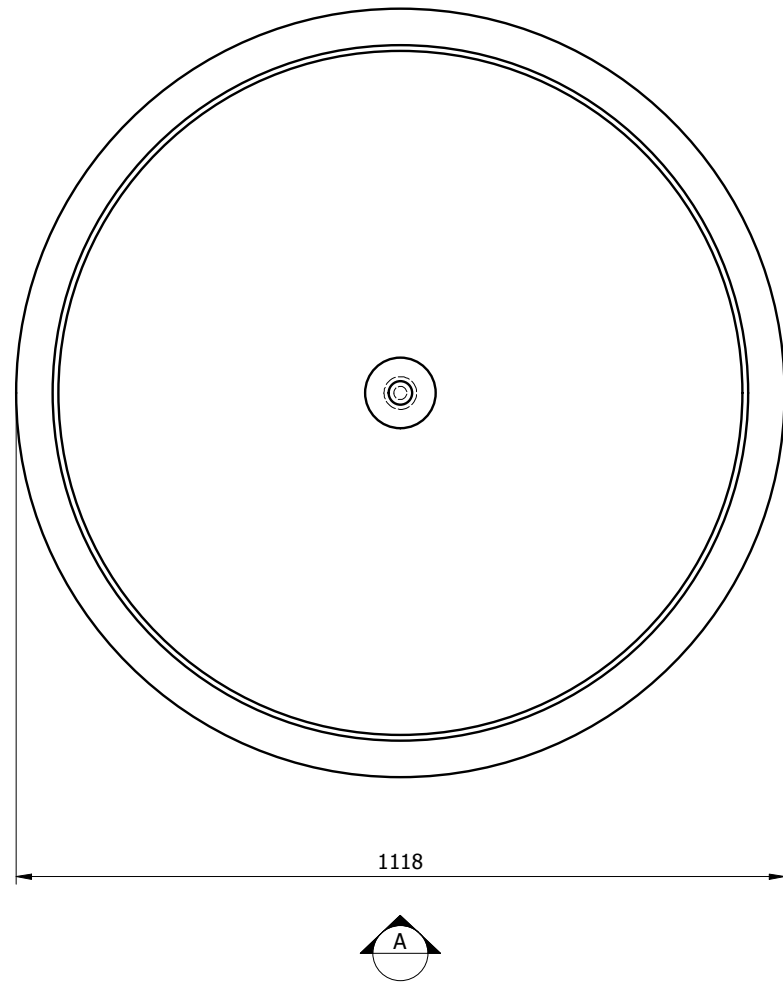
LOCATION:

DESCRIPTION:
900Ø MONOBASE

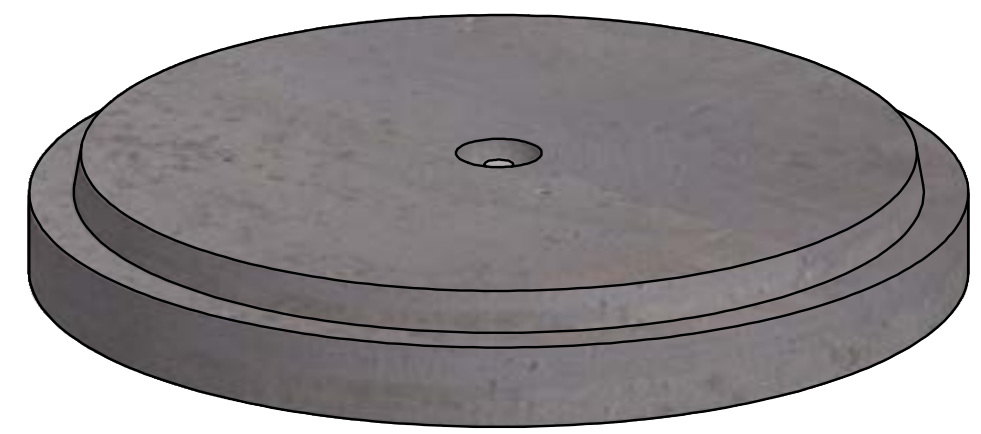
STRUCTURE NAME:

DRAWN:	CHECKED:
DATE CREATED: 11/16/2022	REQUIRED:
LAST REVISION:	SCALE:
PROJECT NUMBER:	DRAWING:

APPROXIMATE WEIGHTS			
PIECE	lb	kg	BURY DEPTH
1070	2,314	1,049	-
1220	2,573	1,167	-



ELEVATION A



NOTES:
 - ALL DIMENSIONS ARE IN MILLIMETERS UNLESS OTHERWISE NOTED
 - ALL ELEVATIONS ARE IN METERS ABOVE SEA LEVEL

STANDARD TEMPLATE

PROPRIETARY AND CONFIDENTIAL:
 THE INFORMATION CONTAINED IN THIS DRAWING IS THE SOLE PROPERTY OF PRECON MANUFACTURING LTD. ANY REPRODUCTION IN PART OR AS A WHOLE WITHOUT THE WRITTEN PERMISSION OF PRECON MANUFACTURING LTD. IS PROHIBITED.



© Precon Manufacturing Ltd. www.precon.ca 1-800-661-8020

CONTRACTOR:
PRECON

PROJECT:
CATCH BASIN MATERIAL

LOCATION:

DESCRIPTION:
900Ø SLAB BASE

STRUCTURE NAME:

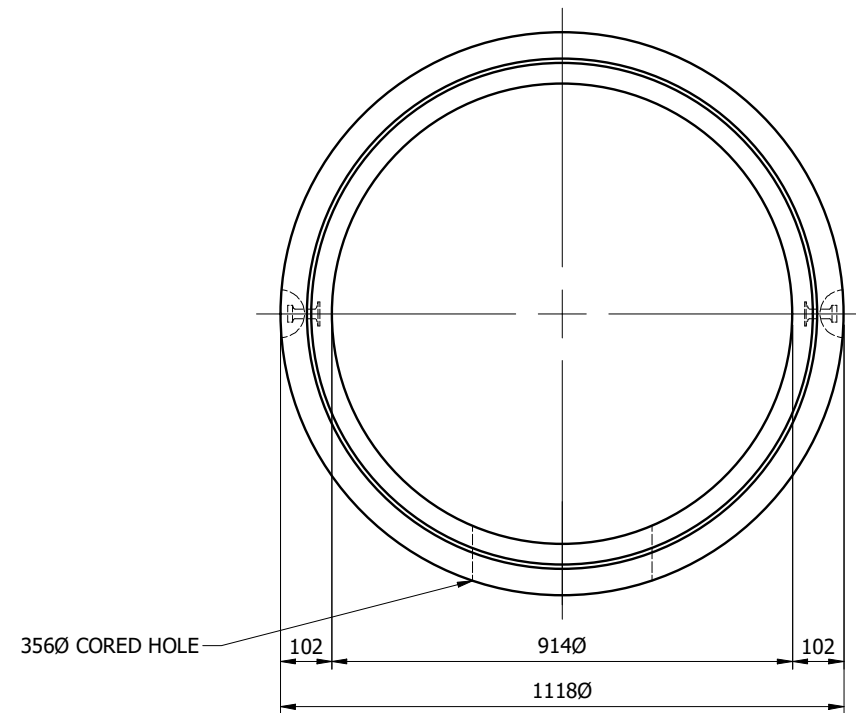
DRAWN:	CHECKED:
DATE CREATED: 11/16/2022	REQUIRED:
LAST REVISION:	SCALE:
PROJECT NUMBER:	DRAWING:

APPROXIMATE WEIGHTS			
PIECE	lb	kg	BURY DEPTH
B1	479	218	-

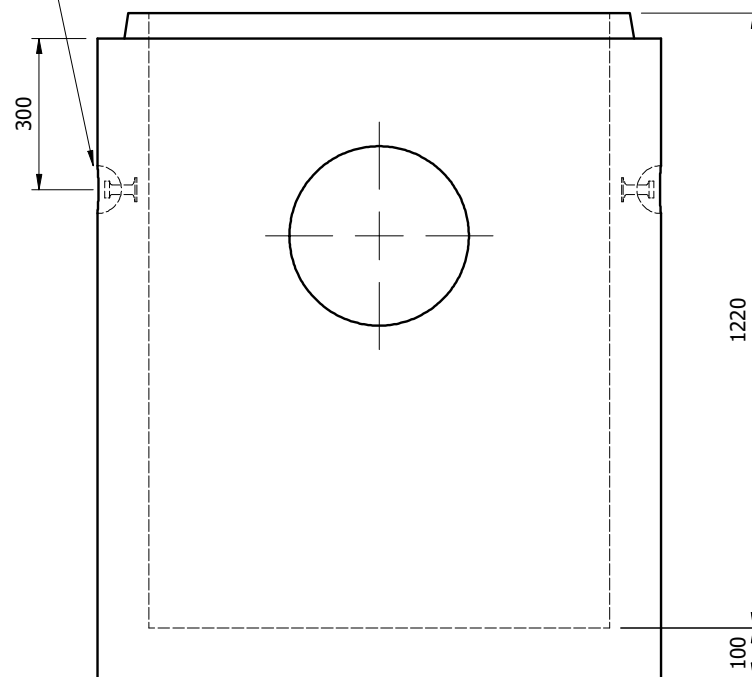
NOTES:

- ALL DIMENSIONS ARE IN MILLIMETERS UNLESS OTHERWISE NOTED
- ALL ELEVATIONS ARE IN METERS ABOVE SEA LEVEL

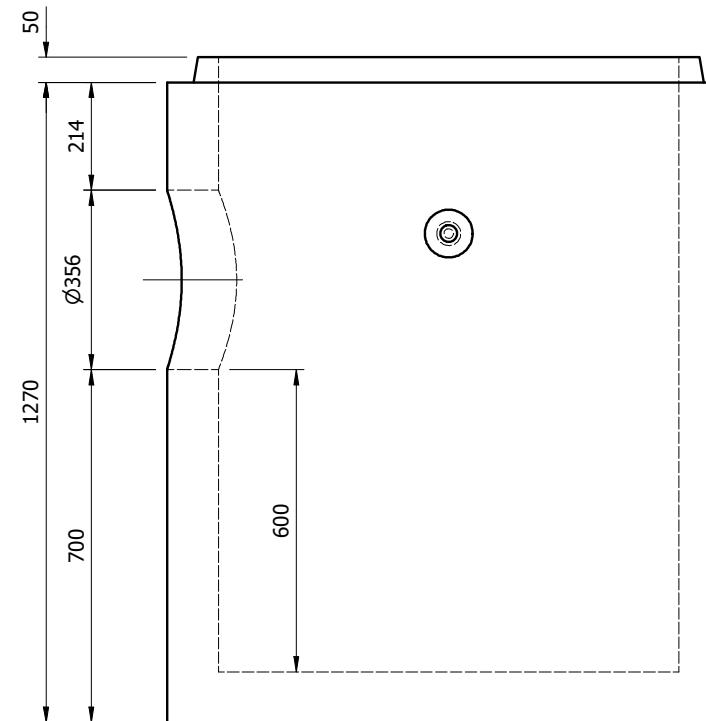
- DESIGNED FOR MD OF WOOD BUFFALO & GRAND PRAIRIE



(2) 4 TON x 2-1/2" LIFTING ANCHORS



1220 MONOBASE



STANDARD TEMPLATE

PROPRIETARY AND CONFIDENTIAL:

THE INFORMATION CONTAINED IN THIS DRAWING IS THE SOLE PROPERTY OF PRECON MANUFACTURING LTD. ANY REPRODUCTION IN PART OR AS A WHOLE WITHOUT THE WRITTEN PERMISSION OF PRECON MANUFACTURING LTD. IS PROHIBITED.



© Precon Manufacturing Ltd. www.precon.ca 1-800-661-8020

CONTRACTOR:

PRECON

PROJECT:

CATCH BASIN MATERIAL

LOCATION:

DESCRIPTION:

900Ø MONOBASE

STRUCTURE NAME:

DRAWN: T. AIKEMA

CHECKED:

DATE CREATED: 12/13/2022

REQUIRED:

LAST REVISION:

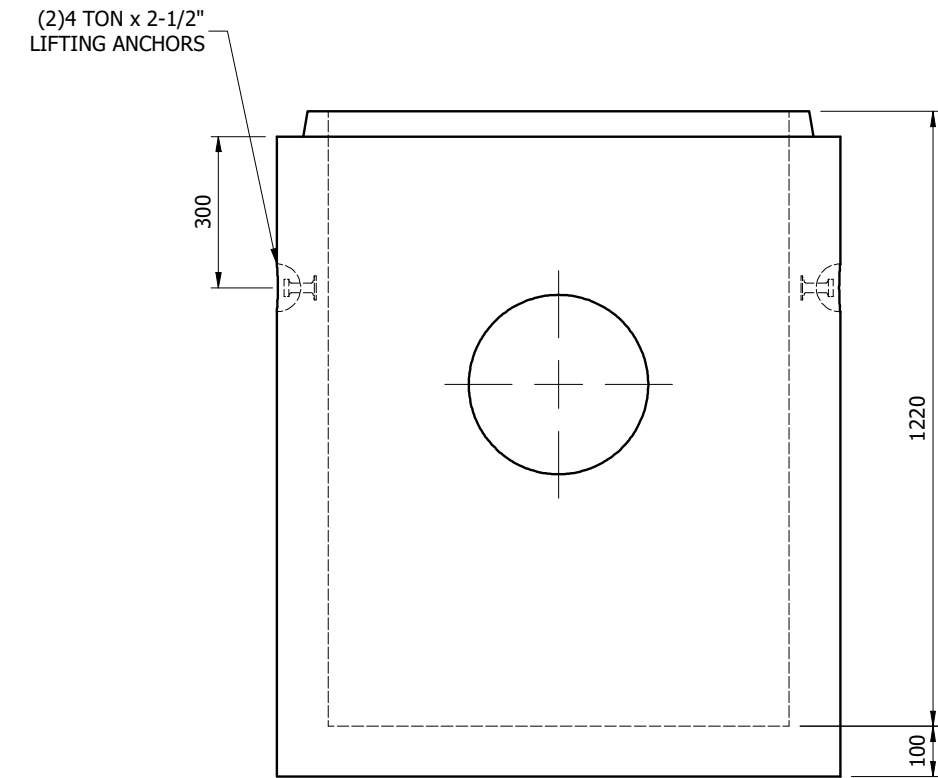
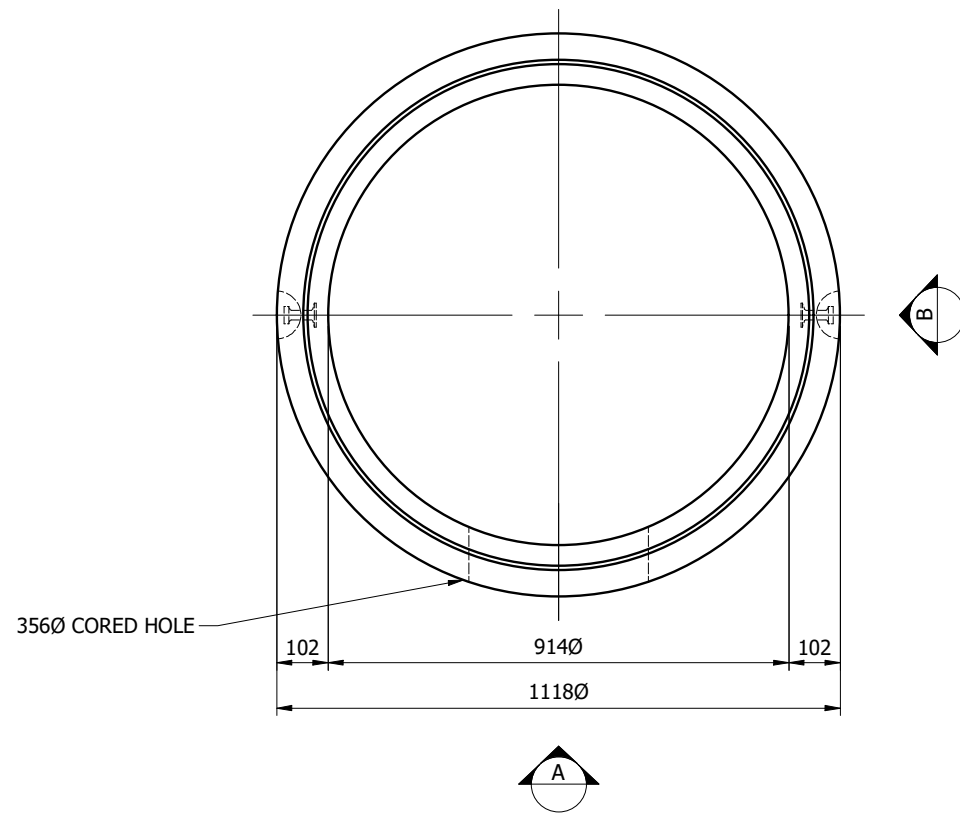
SCALE:

1:15

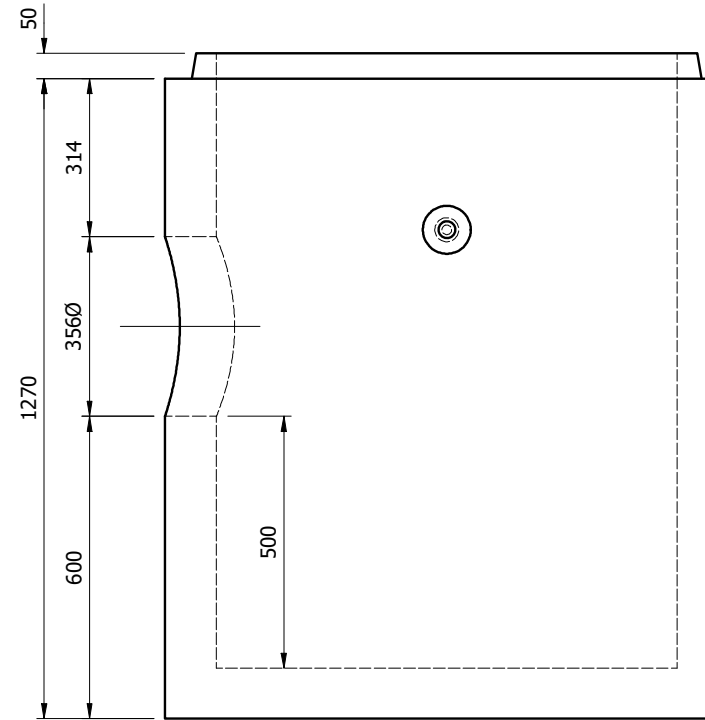
PROJECT NUMBER:

DRAWING:

APPROXIMATE WEIGHTS			
PIECE	lb	kg	BURY DEPTH
1220	2,573	1,167	-



ELEVATION A



ELEVATION B

NOTES:

- ALL DIMENSIONS ARE IN MILLIMETERS UNLESS OTHERWISE NOTED
- ALL ELEVATIONS ARE IN METERS ABOVE SEA LEVEL

- DESIGNED FOR CITY OF EDMONTON

STANDARD TEMPLATE

PROPRIETARY AND CONFIDENTIAL:

THE INFORMATION CONTAINED IN THIS DRAWING IS THE SOLE PROPERTY OF PRECON MANUFACTURING LTD. ANY REPRODUCTION IN PART OR AS A WHOLE WITHOUT THE WRITTEN PERMISSION OF PRECON MANUFACTURING LTD. IS PROHIBITED.



© Precon Manufacturing Ltd. www.precon.ca 1-800-661-8020

CONTRACTOR:
PRECON

PROJECT:
CATCH BASIN MATERIAL

LOCATION:

DESCRIPTION:
900Ø MONOBASE

STRUCTURE NAME:

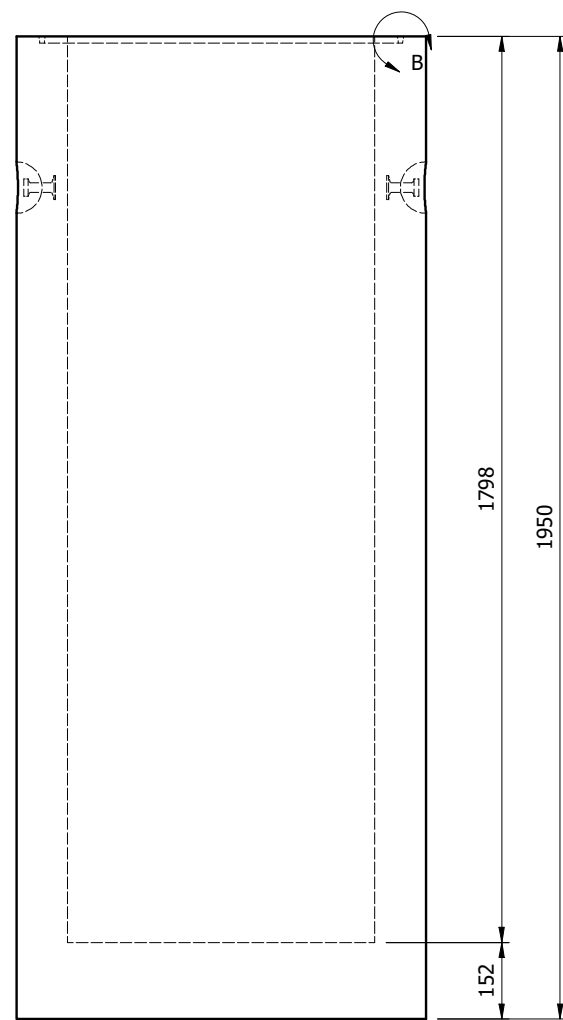
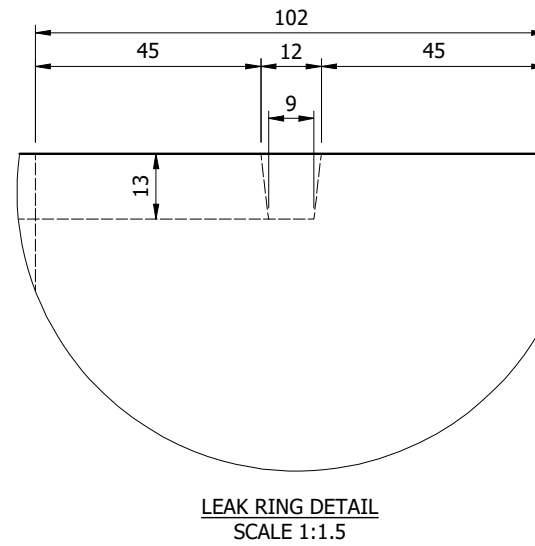
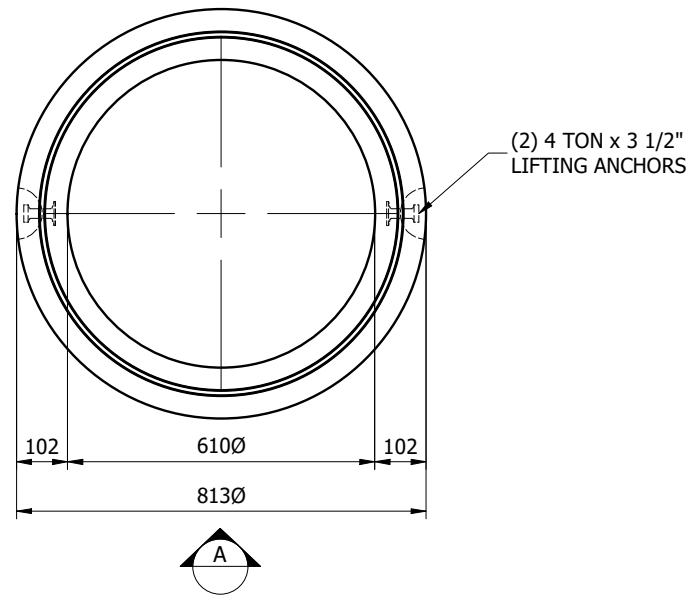
DRAWN: T. AIKEMA CHECKED:

DATE CREATED: 12/13/2022 REQUIRED:

LAST REVISION: SCALE: 1:15

PROJECT NUMBER: DRAWING:

APPROXIMATE WEIGHTS			
PIECE	lb	kg	BURY DEPTH
1220	2,573	1,167	-



NOTES:

- ALL DIMENSIONS ARE IN MILLIMETERS UNLESS OTHERWISE NOTED
- ALL ELEVATIONS ARE IN METERS ABOVE SEA LEVEL
- MANUFACTURED TO CSA A257-19

STANDARD TEMPLATE

PROPRIETARY AND CONFIDENTIAL:

THE INFORMATION CONTAINED IN THIS DRAWING IS THE SOLE PROPERTY OF PRECON MANUFACTURING LTD. ANY REPRODUCTION IN PART OR AS A WHOLE WITHOUT THE WRITTEN PERMISSION OF PRECON MANUFACTURING LTD. IS PROHIBITED.



© Precon Manufacturing Ltd. www.precon.ca 1-800-661-8020

CONTRACTOR:

PRECON

PROJECT:

CATCH BASIN MATERIAL

LOCATION:

DESCRIPTION:

600Ø 1950 CATCH BASIN

STRUCTURE NAME:

DRAWN:

CHECKED:

DATE CREATED:

11/18/2022

REQUIRED:

LAST REVISION:

SCALE:

PROJECT NUMBER:

DRAWING:

APPROXIMATE WEIGHTS		
PIECE	lb	kg
1950	2,575	1,168